



SIRIUS soft starter 200-480 V 315 A, 24 V AC/DC spring-type terminals  
Analog output

<b>product brand name</b>	SIRIUS
<b>product category</b>	Hybrid switching devices
<b>product designation</b>	Soft starter
<b>product type designation</b>	3RW52
<b>manufacturer's article number</b>	
<ul style="list-style-type: none"> <li>• of standard HMI module usable</li> <li>• of high feature HMI module usable</li> <li>• of communication module PROFINET standard usable</li> <li>• of communication module PROFIBUS usable</li> <li>• of communication module Modbus TCP usable</li> <li>• of communication module Modbus RTU usable</li> <li>• of communication module Ethernet/IP</li> <li>• of circuit breaker usable at 400 V</li> <li>• of circuit breaker usable at 500 V</li> <li>• of circuit breaker usable at 400 V at inside-delta circuit</li> <li>• of circuit breaker usable at 500 V at inside-delta circuit</li> <li>• of the gG fuse usable up to 690 V</li> <li>• of the gG fuse usable at inside-delta circuit up to 500 V</li> <li>• of full range R fuse link for semiconductor protection usable up to 690 V</li> <li>• of back-up R fuse link for semiconductor protection usable up to 690 V</li> </ul>	<p><a href="#">3RW5980-0HS00</a></p> <p><a href="#">3RW5980-0HF00</a></p> <p><a href="#">3RW5980-0CS00</a></p> <p><a href="#">3RW5980-0CP00</a></p> <p><a href="#">3RW5980-0CT00</a></p> <p><a href="#">3RW5980-0CR00</a></p> <p><a href="#">3RW5980-0CE00</a></p> <p><a href="#">3VA2440-7MN32-0AA0: Type of coordination 1, Iq = 65 kA, CLASS 10</a></p> <p><a href="#">3VA2440-7MN32-0AA0: Type of coordination 1, Iq = 65 kA, CLASS 10</a></p> <p><a href="#">3VA2580-6HN32-0AA0: Type of coordination 1, Iq = 65 kA, CLASS 10</a></p> <p><a href="#">3VA2580-6HN32-0AA0: Type of coordination 1, Iq = 65 kA, CLASS 10</a></p> <p>2x3NA3365-6; Type of coordination 1, Iq = 65 kA</p> <p>2x3NA3365-6; Type of coordination 1, Iq = 65 kA</p> <p><a href="#">3NE1334-2: Type of coordination 2, Iq = 65 kA</a></p> <p><a href="#">3NE3336: Type of coordination 2, Iq = 65 kA</a></p>
<b>General technical data</b>	
<b>starting voltage [%]</b>	30 ... 100 %
<b>stopping voltage [%]</b>	50 ... 50 %
<b>start-up ramp time of soft starter</b>	0 ... 20 s
<b>current limiting value [%] adjustable</b>	130 ... 700 %
<b>certificate of suitability</b>	
<ul style="list-style-type: none"> <li>• CE marking</li> <li>• UL approval</li> <li>• CSA approval</li> </ul>	<p>Yes</p> <p>Yes</p> <p>Yes</p>
<b>product component is supported</b>	
<ul style="list-style-type: none"> <li>• HMI-Standard</li> <li>• HMI-High Feature</li> </ul>	<p>Yes</p> <p>Yes</p>
<b>product feature integrated bypass contact system</b>	Yes

<b>number of controlled phases</b>	3
<b>trip class</b>	CLASS 10A (default) / 10E / 20E; acc. to IEC 60947-4-2
<b>buffering time in the event of power failure</b>	
• for main current circuit	100 ms
• for control circuit	100 ms
insulation voltage rated value	600 V
<b>degree of pollution</b>	3, acc. to IEC 60947-4-2
<b>impulse voltage rated value</b>	6 kV
<b>blocking voltage of the thyristor maximum</b>	1 600 V
<b>service factor</b>	1
<b>surge voltage resistance rated value</b>	6 kV
<b>maximum permissible voltage for safe isolation</b>	
• between main and auxiliary circuit	600 V
<b>shock resistance</b>	15 g / 11 ms, from 12 g / 11 ms with potential contact lifting
<b>vibration resistance</b>	15 mm to 6 Hz; 2g to 500 Hz
utilization category acc. to IEC 60947-4-2	AC 53a
<b>reference code acc. to IEC 81346-2</b>	Q
<b>Substance Prohibitance (Date)</b>	15.02.2018 00:00:00
<b>product function</b>	
• ramp-up (soft starting)	Yes
• ramp-down (soft stop)	Yes
• Soft Torque	Yes
• adjustable current limitation	Yes
• pump ramp down	Yes
• intrinsic device protection	Yes
• motor overload protection	Yes; Electronic motor overload protection
• evaluation of thermistor motor protection	No
• inside-delta circuit	Yes
• auto-RESET	Yes
• manual RESET	Yes
• remote reset	Yes; By turning off the control supply voltage
• communication function	Yes
• operating measured value display	Yes; Only in conjunction with special accessories
• error logbook	Yes; Only in conjunction with special accessories
• via software parameterizable	No
• via software configurable	Yes
• <b>PROFInergy</b>	Yes; in connection with the PROFINET Standard communication module
• <b>firmware update</b>	Yes
• <b>removable terminal for control circuit</b>	Yes
• torque control	No
• analog output	Yes; 4 ... 20 mA (default) / 0 ... 10 V (parameterizable with High Feature HMI)
<b>Power Electronics</b>	
<b>operational current</b>	
• at 40 °C rated value	315 A
• at 50 °C rated value	279 A
• at 60 °C rated value	255 A
<b>operational current at inside-delta circuit</b>	
• at 40 °C rated value	546 A
• at 50 °C rated value	483 A
• at 60 °C rated value	442 A
<b>operating voltage</b>	
• rated value	200 ... 480 V
• at inside-delta circuit rated value	200 ... 480 V
<b>relative negative tolerance of the operating voltage</b>	-15 %
<b>relative positive tolerance of the operating voltage</b>	10 %
<b>relative negative tolerance of the operating voltage at inside-delta circuit</b>	-15 %

<b>relative positive tolerance of the operating voltage at inside-delta circuit</b>	10 %
<b>operating power for 3-phase motors</b>	
• at 230 V at 40 °C rated value	90 kW
• at 230 V at inside-delta circuit at 40 °C rated value	160 kW
• at 400 V at 40 °C rated value	160 kW
• at 400 V at inside-delta circuit at 40 °C rated value	315 kW
<b>Operating frequency 1 rated value</b>	50 Hz
<b>Operating frequency 2 rated value</b>	60 Hz
<b>relative negative tolerance of the operating frequency</b>	-10 %
<b>relative positive tolerance of the operating frequency</b>	10 %
<b>adjustable motor current</b>	
• at rotary coding switch on switch position 1	135 A
• at rotary coding switch on switch position 2	147 A
• at rotary coding switch on switch position 3	159 A
• at rotary coding switch on switch position 4	171 A
• at rotary coding switch on switch position 5	183 A
• at rotary coding switch on switch position 6	195 A
• at rotary coding switch on switch position 7	207 A
• at rotary coding switch on switch position 8	219 A
• at rotary coding switch on switch position 9	231 A
• at rotary coding switch on switch position 10	243 A
• at rotary coding switch on switch position 11	255 A
• at rotary coding switch on switch position 12	267 A
• at rotary coding switch on switch position 13	279 A
• at rotary coding switch on switch position 14	291 A
• at rotary coding switch on switch position 15	303 A
• at rotary coding switch on switch position 16	315 A
• minimum	135 A
<b>adjustable motor current</b>	
• for inside-delta circuit at rotary coding switch on switch position 1	234 A
• for inside-delta circuit at rotary coding switch on switch position 2	255 A
• for inside-delta circuit at rotary coding switch on switch position 3	275 A
• for inside-delta circuit at rotary coding switch on switch position 4	296 A
• for inside-delta circuit at rotary coding switch on switch position 5	317 A
• for inside-delta circuit at rotary coding switch on switch position 6	338 A
• for inside-delta circuit at rotary coding switch on switch position 7	359 A
• for inside-delta circuit at rotary coding switch on switch position 8	379 A
• for inside-delta circuit at rotary coding switch on switch position 9	400 A
• for inside-delta circuit at rotary coding switch on switch position 10	421 A
• for inside-delta circuit at rotary coding switch on switch position 11	442 A
• for inside-delta circuit at rotary coding switch on switch position 12	462 A
• for inside-delta circuit at rotary coding switch on switch position 13	483 A
• for inside-delta circuit at rotary coding switch on switch position 14	504 A
• for inside-delta circuit at rotary coding switch on switch position 15	525 A
• for inside-delta circuit at rotary coding switch on switch position 16	546 A

<ul style="list-style-type: none"> <li>at inside-delta circuit minimum</li> </ul>	234 A
<b>minimum load [%]</b>	15 %; Relative to smallest settable I <sub>e</sub>
<b>power loss [W] for rated value of the current at AC</b>	
<ul style="list-style-type: none"> <li>at 40 °C after startup</li> </ul>	107 W
<ul style="list-style-type: none"> <li>at 50 °C after startup</li> </ul>	96 W
<ul style="list-style-type: none"> <li>at 60 °C after startup</li> </ul>	89 W
<b>power loss [W] at AC at current limitation 350 %</b>	
<ul style="list-style-type: none"> <li>at 40 °C during startup</li> </ul>	5 350 W
<ul style="list-style-type: none"> <li>at 50 °C during startup</li> </ul>	4 471 W
<ul style="list-style-type: none"> <li>at 60 °C during startup</li> </ul>	3 934 W
<b>Control circuit/ Control</b>	
<b>type of voltage of the control supply voltage</b>	AC/DC
<b>control supply voltage at AC</b>	
<ul style="list-style-type: none"> <li>at 50 Hz rated value</li> </ul>	24 V
<ul style="list-style-type: none"> <li>at 60 Hz rated value</li> </ul>	24 V
<b>relative negative tolerance of the control supply voltage at AC at 50 Hz</b>	-20 %
<b>relative positive tolerance of the control supply voltage at AC at 50 Hz</b>	20 %
<b>relative negative tolerance of the control supply voltage at AC at 60 Hz</b>	-20 %
<b>relative positive tolerance of the control supply voltage at AC at 60 Hz</b>	20 %
<b>control supply voltage frequency</b>	50 ... 60 Hz
<b>relative negative tolerance of the control supply voltage frequency</b>	-10 %
<b>relative positive tolerance of the control supply voltage frequency</b>	10 %
<b>control supply voltage</b>	
<ul style="list-style-type: none"> <li>at DC rated value</li> </ul>	24 V
<b>relative negative tolerance of the control supply voltage at DC</b>	-20 %
<b>relative positive tolerance of the control supply voltage at DC</b>	20 %
<b>control supply current in standby mode rated value</b>	160 mA
<b>holding current in bypass operation rated value</b>	470 mA
<b>locked-rotor current at close of bypass contact maximum</b>	7.6 A
<b>inrush current peak at application of control supply voltage maximum</b>	3.3 A
<b>duration of inrush current peak at application of control supply voltage</b>	12.1 ms
<b>design of the overvoltage protection</b>	Varistor
<b>design of short-circuit protection for control circuit</b>	4 A gG fuse (I <sub>cu</sub> =1 kA), 6 A quick-acting fuse (I <sub>cu</sub> =1 kA), C1 miniature circuit breaker (I <sub>cu</sub> = 600 A), C6 miniature circuit breaker (I <sub>cu</sub> = 300 A); Is not part of scope of supply
<b>Inputs/ Outputs</b>	
<b>number of digital inputs</b>	1
<b>number of inputs for thermistor connection</b>	0
<b>number of digital outputs</b>	3
<ul style="list-style-type: none"> <li>not parameterizable</li> </ul>	2
<b>digital output version</b>	2 normally-open contacts (NO) / 1 changeover contact (CO)
<b>number of analog outputs</b>	1
<b>switching capacity current of the relay outputs</b>	
<ul style="list-style-type: none"> <li>at AC-15 at 250 V rated value</li> </ul>	3 A
<ul style="list-style-type: none"> <li>at DC-13 at 24 V rated value</li> </ul>	1 A
<b>Installation/ mounting/ dimensions</b>	
<b>mounting position</b>	with vertical mounting surface +/-90° rotatable, with vertical mounting surface +/- 22.5° tiltable to the front and back
<b>fastening method</b>	screw fixing
<b>height</b>	393 mm

<b>width</b>	210 mm
<b>depth</b>	203 mm
required spacing with side-by-side mounting	
<ul style="list-style-type: none"> <li>• forwards</li> <li>• backwards</li> <li>• upwards</li> <li>• downwards</li> <li>• at the side</li> </ul>	10 mm 0 mm 100 mm 75 mm 5 mm
<b>weight without packaging</b>	9.9 kg
<b>Connections/ Terminals</b>	
<b>type of electrical connection</b>	
<ul style="list-style-type: none"> <li>• for main current circuit</li> <li>• for control circuit</li> </ul>	busbar connection spring-loaded terminals
<b>width of connection bar maximum</b>	45 mm
<b>type of connectable conductor cross-sections</b>	
<ul style="list-style-type: none"> <li>• for DIN cable lug for main contacts stranded</li> <li>• for DIN cable lug for main contacts finely stranded</li> </ul>	2x (50 ... 240 mm <sup>2</sup> ) 2x (70 ... 240 mm <sup>2</sup> )
<b>type of connectable conductor cross-sections</b>	
<ul style="list-style-type: none"> <li>• for control circuit solid</li> <li>• for control circuit finely stranded with core end processing</li> <li>• at AWG cables for control circuit solid</li> <li>• at AWG cables for control circuit finely stranded with core end processing</li> </ul>	2x (0.25 ... 1.5 mm <sup>2</sup> ) 2x (0.25 ... 1.5 mm <sup>2</sup> ) 2x (24 ... 16) 2x (24 ... 16)
<b>wire length</b>	
<ul style="list-style-type: none"> <li>• between soft starter and motor maximum</li> <li>• at the digital inputs at AC maximum</li> <li>• at the digital inputs at DC maximum</li> </ul>	800 m 100 m 1 000 m
<b>tightening torque</b>	
<ul style="list-style-type: none"> <li>• for main contacts with screw-type terminals</li> <li>• for auxiliary and control contacts with screw-type terminals</li> </ul>	14 ... 24 N·m 0.8 ... 1.2 N·m
<b>tightening torque [lbf·in]</b>	
<ul style="list-style-type: none"> <li>• for main contacts with screw-type terminals</li> <li>• for auxiliary and control contacts with screw-type terminals</li> </ul>	124 ... 210 lbf·in 7 ... 10.3 lbf·in
<b>Ambient conditions</b>	
installation altitude at height above sea level maximum	5 000 m; Derating as of 1000 m, see catalog
<b>ambient temperature</b>	
<ul style="list-style-type: none"> <li>• during operation</li> <li>• during storage and transport</li> </ul>	-25 ... +60 °C; Please observe derating at temperatures of 40 °C or above -40 ... +80 °C
<b>environmental category</b>	
<ul style="list-style-type: none"> <li>• during operation acc. to IEC 60721</li> <li>• during storage acc. to IEC 60721</li> <li>• during transport acc. to IEC 60721</li> </ul>	3K6 (no ice formation, only occasional condensation), 3C3 (no salt mist), 3S2 (sand must not get into the devices), 3M6 1K6 (only occasional condensation), 1C2 (no salt mist), 1S2 (sand must not get inside the devices), 1M4 2K2, 2C1, 2S1, 2M2 (max. fall height 0.3 m)
<b>EMC emitted interference</b>	acc. to IEC 60947-4-2: Class A
<b>Communication/ Protocol</b>	
<b>communication module is supported</b>	
<ul style="list-style-type: none"> <li>• PROFINET standard</li> <li>• EtherNet/IP</li> <li>• Modbus RTU</li> <li>• Modbus TCP</li> <li>• PROFIBUS</li> </ul>	Yes Yes Yes Yes Yes
<b>UL/CSA ratings</b>	
<b>manufacturer's article number</b>	
<ul style="list-style-type: none"> <li>• of circuit breaker</li> </ul>	

- usable for Standard Faults at 460/480 V according to UL
- usable for High Faults at 460/480 V according to UL
- usable for Standard Faults at 460/480 V at inside-delta circuit according to UL
- usable for High Faults at 460/480 V at inside-delta circuit according to UL
- usable for Standard Faults at 575/600 V according to UL
- usable for Standard Faults at 575/600 V at inside-delta circuit according to UL

• of the fuse

- usable for Standard Faults up to 575/600 V according to UL
- usable for High Faults up to 575/600 V according to UL
- usable for Standard Faults at inside-delta circuit up to 575/600 V according to UL
- usable for High Faults at inside-delta circuit up to 575/600 V according to UL

Siemens type: 3VA53, max. 400 A or 3VA54, max. 600 A; Iq = 18 kA

Siemens type: 3VA53, max. 400 A or 3VA54, max. 600 A; Iq max = 65 kA

Siemens type: 3VA54, max. 600 A; Iq = 18 kA

Siemens type: 3VA54, max. 600 A; Iq max = 65 kA

Siemens type: 3VA53, max. 400 A or 3VA54, max. 600 A; Iq = 18 kA

Siemens type: 3VA54, max. 600 A; Iq = 18 kA

Type: Class J / L, max. 1000 A; Iq = 18 kA

Type: Class J / L, max. 1000 A; Iq = 100 kA

Type: Class J / L, max. 1000 A; Iq = 18 kA

Type: Class J / L, max. 1000 A; Iq = 100 kA

**operating power [hp] for 3-phase motors**

- at 200/208 V at 50 °C rated value
- at 220/230 V at 50 °C rated value
- at 460/480 V at 50 °C rated value
- at 200/208 V at inside-delta circuit at 50 °C rated value
- at 220/230 V at inside-delta circuit at 50 °C rated value
- at 460/480 V at inside-delta circuit at 50 °C rated value

75 hp

100 hp

200 hp

150 hp

200 hp

400 hp

**contact rating of auxiliary contacts according to UL**

R300-B300

**Safety related data**

**protection class IP on the front acc. to IEC 60529**

IP00; IP20 with cover

**touch protection on the front acc. to IEC 60529**

finger-safe, for vertical contact from the front with cover

**electromagnetic compatibility**

in accordance with IEC 60947-4-2

**Certificates/ approvals**

**General Product Approval**

**EMC**

**Declaration of Conformity**



**Test Certificates**

**Marine / Shipping**

[Type Test Certificates/Test Report](#)



**other**

[Confirmation](#)

## Further information

Information- and Downloadcenter (Catalogs, Brochures,...)

<https://www.siemens.com/ic10>

Industry Mall (Online ordering system)

<https://mall.industry.siemens.com/mall/en/en/Catalog/product?mlfb=3RW5245-2AC04>

Cax online generator

<http://support.automation.siemens.com/WW/CAXorder/default.aspx?lang=en&mlfb=3RW5245-2AC04>

Service&Support (Manuals, Certificates, Characteristics, FAQs,...)

<https://support.industry.siemens.com/cs/ww/en/ps/3RW5245-2AC04>

Image database (product images, 2D dimension drawings, 3D models, device circuit diagrams, EPLAN macros, ...)

[http://www.automation.siemens.com/bilddb/cax\\_de.aspx?mlfb=3RW5245-2AC04&lang=en](http://www.automation.siemens.com/bilddb/cax_de.aspx?mlfb=3RW5245-2AC04&lang=en)

Characteristic: Tripping characteristics, I<sup>2</sup>t, Let-through current

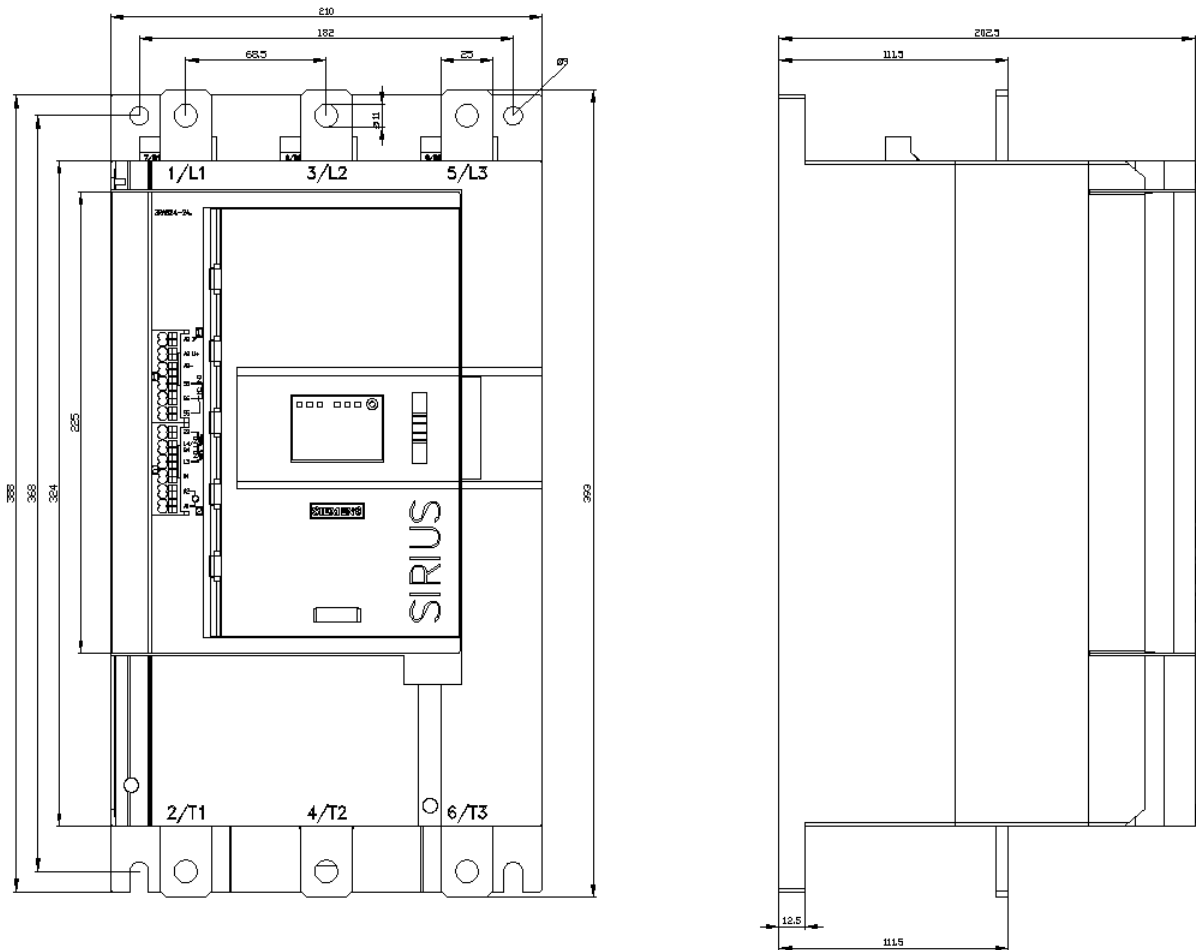
<https://support.industry.siemens.com/cs/ww/en/ps/3RW5245-2AC04/char>

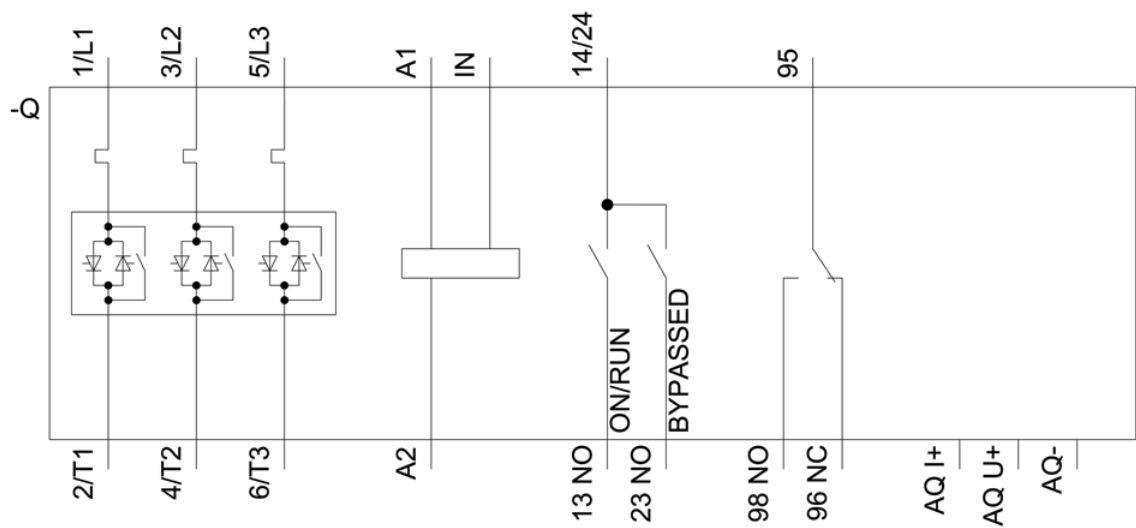
Characteristic: Installation altitude

<http://www.automation.siemens.com/bilddb/index.aspx?view=Search&mlfb=3RW5245-2AC04&objecttype=14&gridview=view1>

Simulation Tool for Soft Starters (STS)

<https://support.industry.siemens.com/cs/ww/en/view/101494917>





last modified:

12/15/2020