



SIRIUS soft starter 200-600 V 143 A, 110-250 V AC Screw terminals
Thermistor input

| | |
|---|--|
| product brand name | SIRIUS |
| product category | Hybrid switching devices |
| product designation | Soft starter |
| product type designation | 3RW52 |
| manufacturer's article number | |
| <ul style="list-style-type: none"> • of standard HMI module usable • of high feature HMI module usable • of communication module PROFINET standard usable • of communication module PROFIBUS usable • of communication module Modbus TCP usable • of communication module Modbus RTU usable • of communication module Ethernet/IP • of circuit breaker usable at 400 V • of circuit breaker usable at 400 V at inside-delta circuit • of the gG fuse usable up to 690 V • of the gG fuse usable at inside-delta circuit up to 500 V • of full range R fuse link for semiconductor protection usable up to 690 V • of back-up R fuse link for semiconductor protection usable up to 690 V | 3RW5980-0HS00 3RW5980-0HF00 3RW5980-0CS00 3RW5980-0CP00 3RW5980-0CT00 3RW5980-0CR00 3RW5980-0CE00 3VA2220-7MN32-0AA0; Type of coordination 1, Iq = 65 kA, CLASS 10 3VA2325-7MN32-0AA0; Type of coordination 1, Iq = 65 kA, CLASS 10 3NA3244-6; Type of coordination 1, Iq = 65 kA 3NA3244-6; Type of coordination 1, Iq = 65 kA 3NE1227-0; Type of coordination 2, Iq = 65 kA 3NE3334-0B; Type of coordination 2, Iq = 65 kA |
| General technical data | |
| starting voltage [%] | 30 ... 100 % |
| stopping voltage [%] | 50 ... 50 % |
| start-up ramp time of soft starter | 0 ... 20 s |
| current limiting value [%] adjustable | 130 ... 700 % |
| certificate of suitability | |
| <ul style="list-style-type: none"> • CE marking • UL approval • CSA approval | Yes Yes Yes |
| product component is supported | |
| <ul style="list-style-type: none"> • HMI-Standard • HMI-High Feature | Yes Yes |
| product feature integrated bypass contact system | Yes |
| number of controlled phases | 3 |
| trip class | CLASS 10A (default) / 10E / 20E; acc. to IEC 60947-4-2 |
| buffering time in the event of power failure | |

| | |
|--|---|
| <ul style="list-style-type: none"> • for main current circuit • for control circuit | 100 ms |
| insulation voltage rated value | 600 V |
| degree of pollution | 3, acc. to IEC 60947-4-2 |
| impulse voltage rated value | 6 kV |
| blocking voltage of the thyristor maximum | 1 800 V |
| service factor | 1 |
| surge voltage resistance rated value | 6 kV |
| maximum permissible voltage for safe isolation <ul style="list-style-type: none"> • between main and auxiliary circuit | 600 V |
| shock resistance | 15 g / 11 ms, from 12 g / 11 ms with potential contact lifting |
| vibration resistance | 15 mm to 6 Hz; 2g to 500 Hz |
| utilization category acc. to IEC 60947-4-2 | AC 53a |
| reference code acc. to IEC 81346-2 | Q |
| Substance Prohibitance (Date) | 15.02.2018 00:00:00 |
| product function <ul style="list-style-type: none"> • ramp-up (soft starting) • ramp-down (soft stop) • Soft Torque • adjustable current limitation • pump ramp down • intrinsic device protection • motor overload protection • evaluation of thermistor motor protection • inside-delta circuit • auto-RESET • manual RESET • remote reset • communication function • operating measured value display • error logbook • via software parameterizable • via software configurable • PROFenergy • firmware update • removable terminal for control circuit • torque control • analog output | Yes Yes Yes Yes Yes Yes Yes; Full motor protection (thermistor motor protection and electronic motor overload protection) Yes; Type A PTC or Klixon / Thermoclick Yes Yes Yes Yes; By turning off the control supply voltage Yes Yes; Only in conjunction with special accessories Yes; Only in conjunction with special accessories No Yes Yes; in connection with the PROFINET Standard communication module Yes Yes No No |
| Power Electronics | |
| operational current <ul style="list-style-type: none"> • at 40 °C rated value • at 50 °C rated value • at 60 °C rated value | 143 A 128 A 118 A |
| operational current at inside-delta circuit <ul style="list-style-type: none"> • at 40 °C rated value • at 50 °C rated value • at 60 °C rated value | 248 A 222 A 204 A |
| operating voltage <ul style="list-style-type: none"> • rated value • at inside-delta circuit rated value | 200 ... 600 V 200 ... 600 V |
| relative negative tolerance of the operating voltage | -15 % |
| relative positive tolerance of the operating voltage | 10 % |
| relative negative tolerance of the operating voltage at inside-delta circuit | -15 % |
| relative positive tolerance of the operating voltage at inside-delta circuit | 10 % |
| operating power for 3-phase motors | |

| | |
|--|--------|
| • at 230 V at 40 °C rated value | 37 kW |
| • at 230 V at inside-delta circuit at 40 °C rated value | 75 kW |
| • at 400 V at 40 °C rated value | 75 kW |
| • at 400 V at inside-delta circuit at 40 °C rated value | 132 kW |
| • at 500 V at 40 °C rated value | 90 kW |
| • at 500 V at inside-delta circuit at 40 °C rated value | 160 kW |
| Operating frequency 1 rated value | 50 Hz |
| Operating frequency 2 rated value | 60 Hz |
| relative negative tolerance of the operating frequency | -10 % |
| relative positive tolerance of the operating frequency | 10 % |
| adjustable motor current | |
| • at rotary coding switch on switch position 1 | 68 A |
| • at rotary coding switch on switch position 2 | 73 A |
| • at rotary coding switch on switch position 3 | 78 A |
| • at rotary coding switch on switch position 4 | 83 A |
| • at rotary coding switch on switch position 5 | 88 A |
| • at rotary coding switch on switch position 6 | 93 A |
| • at rotary coding switch on switch position 7 | 98 A |
| • at rotary coding switch on switch position 8 | 103 A |
| • at rotary coding switch on switch position 9 | 108 A |
| • at rotary coding switch on switch position 10 | 113 A |
| • at rotary coding switch on switch position 11 | 118 A |
| • at rotary coding switch on switch position 12 | 123 A |
| • at rotary coding switch on switch position 13 | 128 A |
| • at rotary coding switch on switch position 14 | 133 A |
| • at rotary coding switch on switch position 15 | 138 A |
| • at rotary coding switch on switch position 16 | 143 A |
| • minimum | 68 A |
| adjustable motor current | |
| • for inside-delta circuit at rotary coding switch on switch position 1 | 118 A |
| • for inside-delta circuit at rotary coding switch on switch position 2 | 126 A |
| • for inside-delta circuit at rotary coding switch on switch position 3 | 135 A |
| • for inside-delta circuit at rotary coding switch on switch position 4 | 144 A |
| • for inside-delta circuit at rotary coding switch on switch position 5 | 152 A |
| • for inside-delta circuit at rotary coding switch on switch position 6 | 161 A |
| • for inside-delta circuit at rotary coding switch on switch position 7 | 170 A |
| • for inside-delta circuit at rotary coding switch on switch position 8 | 178 A |
| • for inside-delta circuit at rotary coding switch on switch position 9 | 187 A |
| • for inside-delta circuit at rotary coding switch on switch position 10 | 196 A |
| • for inside-delta circuit at rotary coding switch on switch position 11 | 204 A |
| • for inside-delta circuit at rotary coding switch on switch position 12 | 213 A |
| • for inside-delta circuit at rotary coding switch on switch position 13 | 222 A |
| • for inside-delta circuit at rotary coding switch on switch position 14 | 230 A |
| • for inside-delta circuit at rotary coding switch on switch position 15 | 239 A |
| • for inside-delta circuit at rotary coding switch on switch position 16 | 248 A |
| • at inside-delta circuit minimum | 118 A |

| | |
|---|--|
| minimum load [%] | 15 %; Relative to smallest settable I _e |
| power loss [W] for rated value of the current at AC | |
| • at 40 °C after startup | 55 W |
| • at 50 °C after startup | 50 W |
| • at 60 °C after startup | 47 W |
| power loss [W] at AC at current limitation 350 % | |
| • at 40 °C during startup | 2 127 W |
| • at 50 °C during startup | 1 807 W |
| • at 60 °C during startup | 1 605 W |
| Control circuit/ Control | |
| type of voltage of the control supply voltage | AC |
| control supply voltage at AC | |
| • at 50 Hz | 110 ... 250 V |
| • at 60 Hz | 110 ... 250 V |
| relative negative tolerance of the control supply voltage at AC at 50 Hz | -15 % |
| relative positive tolerance of the control supply voltage at AC at 50 Hz | 10 % |
| relative negative tolerance of the control supply voltage at AC at 60 Hz | -15 % |
| relative positive tolerance of the control supply voltage at AC at 60 Hz | 10 % |
| control supply voltage frequency | 50 ... 60 Hz |
| relative negative tolerance of the control supply voltage frequency | -10 % |
| relative positive tolerance of the control supply voltage frequency | 10 % |
| control supply current in standby mode rated value | 30 mA |
| holding current in bypass operation rated value | 75 mA |
| locked-rotor current at close of bypass contact maximum | 2.5 A |
| inrush current peak at application of control supply voltage maximum | 12.2 A |
| duration of inrush current peak at application of control supply voltage | 2.2 ms |
| design of the overvoltage protection | Varistor |
| design of short-circuit protection for control circuit | 4 A gG fuse (I _{cu} =1 kA), 6 A quick-acting fuse (I _{cu} =1 kA), C1 miniature circuit breaker (I _{cu} = 600 A), C6 miniature circuit breaker (I _{cu} = 300 A); Is not part of scope of supply |
| Inputs/ Outputs | |
| number of digital inputs | 1 |
| number of inputs for thermistor connection | 1; Type A PTC or Klixon / Thermoclick |
| number of digital outputs | 3 |
| • not parameterizable | 2 |
| digital output version | 2 normally-open contacts (NO) / 1 changeover contact (CO) |
| number of analog outputs | 0 |
| switching capacity current of the relay outputs | |
| • at AC-15 at 250 V rated value | 3 A |
| • at DC-13 at 24 V rated value | 1 A |
| Installation/ mounting/ dimensions | |
| mounting position | with vertical mounting surface +/-90° rotatable, with vertical mounting surface +/- 22.5° tiltable to the front and back |
| fastening method | screw fixing |
| height | 306 mm |
| width | 185 mm |
| depth | 203 mm |
| required spacing with side-by-side mounting | |
| • forwards | 10 mm |
| • backwards | 0 mm |
| • upwards | 100 mm |
| • downwards | 75 mm |

| | |
|--|---|
| <ul style="list-style-type: none"> • at the side | 5 mm |
| weight without packaging | 6.6 kg |
| Connections/ Terminals | |
| type of electrical connection <ul style="list-style-type: none"> • for main current circuit • for control circuit | busbar connection screw-type terminals |
| width of connection bar maximum | 25 mm |
| wire length for thermistor connection <ul style="list-style-type: none"> • with conductor cross-section = 0.5 mm² maximum • with conductor cross-section = 1.5 mm² maximum • with conductor cross-section = 2.5 mm² maximum | 50 m 150 m 250 m |
| type of connectable conductor cross-sections <ul style="list-style-type: none"> • for DIN cable lug for main contacts stranded • for DIN cable lug for main contacts finely stranded | 2x (16 ... 95 mm ²) 2x (25 ... 120 mm ²) |
| type of connectable conductor cross-sections <ul style="list-style-type: none"> • for control circuit solid • for control circuit finely stranded with core end processing • at AWG cables for control circuit solid | 1x (0.5 ... 4.0 mm ²), 2x (0.5 ... 2.5 mm ²) 1x (0.5 ... 2.5 mm ²), 2x (0.5 ... 1.5 mm ²) 1x (20 ... 12), 2x (20 ... 14) |
| wire length <ul style="list-style-type: none"> • between soft starter and motor maximum • at the digital inputs at AC maximum | 800 m 100 m |
| tightening torque <ul style="list-style-type: none"> • for main contacts with screw-type terminals • for auxiliary and control contacts with screw-type terminals | 10 ... 14 N·m 0.8 ... 1.2 N·m |
| tightening torque [lbf·in] <ul style="list-style-type: none"> • for main contacts with screw-type terminals • for auxiliary and control contacts with screw-type terminals | 89 ... 124 lbf·in 7 ... 10.3 lbf·in |
| Ambient conditions | |
| installation altitude at height above sea level maximum | 5 000 m; Derating as of 1000 m, see catalog |
| ambient temperature <ul style="list-style-type: none"> • during operation • during storage and transport | -25 ... +60 °C; Please observe derating at temperatures of 40 °C or above -40 ... +80 °C |
| environmental category <ul style="list-style-type: none"> • during operation acc. to IEC 60721 • during storage acc. to IEC 60721 • during transport acc. to IEC 60721 | 3K6 (no ice formation, only occasional condensation), 3C3 (no salt mist), 3S2 (sand must not get into the devices), 3M6 1K6 (only occasional condensation), 1C2 (no salt mist), 1S2 (sand must not get inside the devices), 1M4 2K2, 2C1, 2S1, 2M2 (max. fall height 0.3 m) |
| EMC emitted interference | acc. to IEC 60947-4-2: Class A |
| Communication/ Protocol | |
| communication module is supported <ul style="list-style-type: none"> • PROFINET standard • EtherNet/IP • Modbus RTU • Modbus TCP • PROFIBUS | Yes Yes Yes Yes Yes |
| UL/CSA ratings | |
| manufacturer's article number <ul style="list-style-type: none"> • of circuit breaker <ul style="list-style-type: none"> — usable for Standard Faults at 460/480 V according to UL — usable for High Faults at 460/480 V according to UL — usable for Standard Faults at 460/480 V at inside-delta circuit according to UL — usable for High Faults at 460/480 V at inside- | Siemens type: 3VA52, max. 250 A; I _q = 10 kA Siemens type: 3VA52, max. 250 A; I _q max = 65 kA Siemens type: 3VA52, max. 250 A; I _q = 10 kA Siemens type: 3VA52, max. 250 A; I _q max = 65 kA |

delta circuit according to UL

— usable for Standard Faults at 575/600 V according to UL

— usable for Standard Faults at 575/600 V at inside-delta circuit according to UL

● **of the fuse**

— usable for Standard Faults up to 575/600 V according to UL

— usable for High Faults up to 575/600 V according to UL

— usable for Standard Faults at inside-delta circuit up to 575/600 V according to UL

— usable for High Faults at inside-delta circuit up to 575/600 V according to UL

Siemens type: 3VA52, max. 250 A; I_q = 10 kA

Siemens type: 3VA52, max. 250 A; I_q = 10 kA

Type: Class RK5 / K5, max. 350 A; I_q = 10 kA

Type: Class J / L, max. 350 A; I_q = 100 kA

Type: Class RK5 / K5, max. 350 A; I_q = 10 kA

Type: Class J / L, max. 350 A; I_q = 100 kA

operating power [hp] for 3-phase motors

- at 200/208 V at 50 °C rated value
- at 220/230 V at 50 °C rated value
- at 460/480 V at 50 °C rated value
- at 575/600 V at 50 °C rated value
- at 200/208 V at inside-delta circuit at 50 °C rated value
- at 220/230 V at inside-delta circuit at 50 °C rated value
- at 460/480 V at inside-delta circuit at 50 °C rated value
- at 575/600 V at inside-delta circuit at 50 °C rated value

40 hp
40 hp
100 hp
125 hp
75 hp
75 hp
150 hp
200 hp

contact rating of auxiliary contacts according to UL

R300-B300

Safety related data

protection class IP on the front acc. to IEC 60529

IP00; IP20 with cover

touch protection on the front acc. to IEC 60529

finger-safe, for vertical contact from the front with cover

electromagnetic compatibility

in accordance with IEC 60947-4-2

Certificates/ approvals

General Product Approval

EMC

Declaration of Conformity



Test Certificates

Marine / Shipping

[Type Test Certificates/Test Report](#)



other

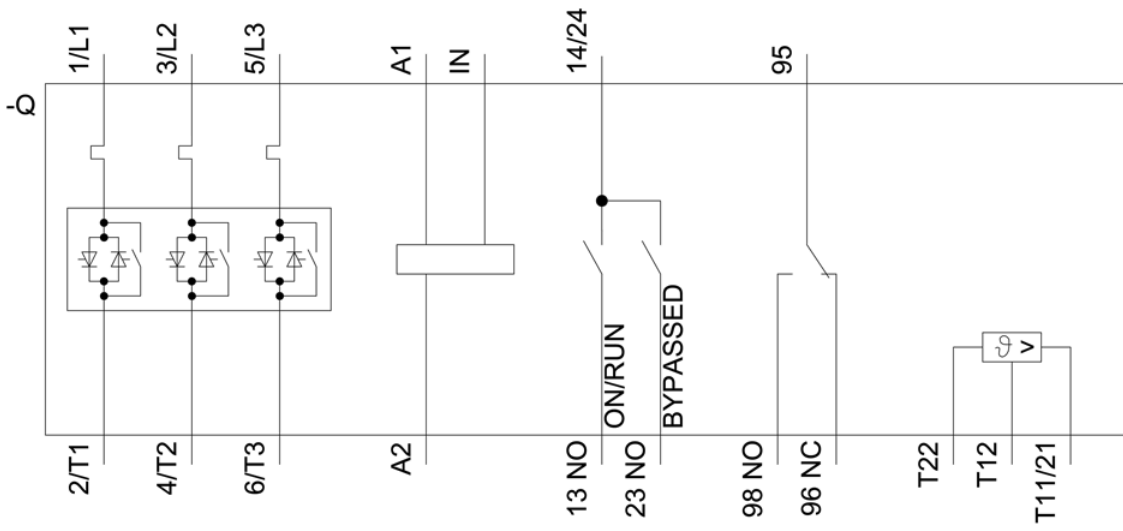
[Confirmation](#)

Further information

Information- and Downloadcenter (Catalogs, Brochures,...)

<https://www.siemens.com/ic10>

Industry Mall (Online ordering system)



last modified:

12/15/2020 