



SIRIUS soft starter 200-600 V 77 A, 110-250 V AC Screw terminals Analog output

product brand name	SIRIUS
product category	Hybrid switching devices
product designation	Soft starter
product type designation	3RW52
manufacturer's article number	
<ul style="list-style-type: none"> • of standard HMI module usable • of high feature HMI module usable • of communication module PROFINET standard usable • of communication module PROFIBUS usable • of communication module Modbus TCP usable • of communication module Modbus RTU usable • of communication module Ethernet/IP • of circuit breaker usable at 400 V • of circuit breaker usable at 500 V • of circuit breaker usable at 400 V at inside-delta circuit • of circuit breaker usable at 500 V at inside-delta circuit • of the gG fuse usable up to 690 V • of the gG fuse usable at inside-delta circuit up to 500 V • of full range R fuse link for semiconductor protection usable up to 690 V • of back-up R fuse link for semiconductor protection usable up to 690 V 	<ul style="list-style-type: none"> 3RW5980-0HS00 3RW5980-0HF00 3RW5980-0CS00 3RW5980-0CP00 3RW5980-0CT00 3RW5980-0CR00 3RW5980-0CE00 3VA2110-7MN32-0AA0: Type of coordination 1, Iq = 65 kA, CLASS 10 3VA2110-7MN32-0AA0: Type of coordination 1, Iq = 20 kA, CLASS 10 3VA2216-7MN32-0AA0: Type of coordination 1, Iq = 65 kA, CLASS 10 3VA2216-7MN32-0AA0: Type of coordination 1, Iq = 20 kA, CLASS 10 3NA3132-6: Type of coordination 1, Iq = 65 kA 3NA3132-6: Type of coordination 1, Iq = 65 kA 3NE1224-0: Type of coordination 2, Iq = 65 kA 3NE8024-1: Type of coordination 2, Iq = 65 kA
General technical data	
starting voltage [%]	30 ... 100 %
stopping voltage [%]	50 ... 50 %
start-up ramp time of soft starter	0 ... 20 s
current limiting value [%] adjustable	130 ... 700 %
certificate of suitability	
<ul style="list-style-type: none"> • CE marking • UL approval • CSA approval 	<ul style="list-style-type: none"> Yes Yes Yes
product component is supported	
<ul style="list-style-type: none"> • HMI-Standard • HMI-High Feature 	<ul style="list-style-type: none"> Yes Yes
product feature integrated bypass contact system	Yes

number of controlled phases	3
trip class	CLASS 10A (default) / 10E / 20E; acc. to IEC 60947-4-2
buffering time in the event of power failure	
• for main current circuit	100 ms
• for control circuit	100 ms
insulation voltage rated value	600 V
degree of pollution	3, acc. to IEC 60947-4-2
impulse voltage rated value	6 kV
blocking voltage of the thyristor maximum	1 800 V
service factor	1
surge voltage resistance rated value	6 kV
maximum permissible voltage for safe isolation	
• between main and auxiliary circuit	600 V
shock resistance	15 g / 11 ms, from 12 g / 11 ms with potential contact lifting
vibration resistance	15 mm to 6 Hz; 2g to 500 Hz
utilization category acc. to IEC 60947-4-2	AC 53a
reference code acc. to IEC 81346-2	Q
Substance Prohibitance (Date)	15.02.2018 00:00:00
product function	
• ramp-up (soft starting)	Yes
• ramp-down (soft stop)	Yes
• Soft Torque	Yes
• adjustable current limitation	Yes
• pump ramp down	Yes
• intrinsic device protection	Yes
• motor overload protection	Yes; Electronic motor overload protection
• evaluation of thermistor motor protection	No
• inside-delta circuit	Yes
• auto-RESET	Yes
• manual RESET	Yes
• remote reset	Yes; By turning off the control supply voltage
• communication function	Yes
• operating measured value display	Yes; Only in conjunction with special accessories
• error logbook	Yes; Only in conjunction with special accessories
• via software parameterizable	No
• via software configurable	Yes
• PROFInergy	Yes; in connection with the PROFINET Standard communication module
• firmware update	Yes
• removable terminal for control circuit	Yes
• torque control	No
• analog output	Yes; 4 ... 20 mA (default) / 0 ... 10 V (parameterizable with High Feature HMI)
Power Electronics	
operational current	
• at 40 °C rated value	77 A
• at 50 °C rated value	68 A
• at 60 °C rated value	62 A
operational current at inside-delta circuit	
• at 40 °C rated value	133 A
• at 50 °C rated value	118 A
• at 60 °C rated value	107 A
operating voltage	
• rated value	200 ... 600 V
• at inside-delta circuit rated value	200 ... 600 V
relative negative tolerance of the operating voltage	-15 %
relative positive tolerance of the operating voltage	10 %
relative negative tolerance of the operating voltage at inside-delta circuit	-15 %

relative positive tolerance of the operating voltage at inside-delta circuit	10 %
operating power for 3-phase motors	
• at 230 V at 40 °C rated value	22 kW
• at 230 V at inside-delta circuit at 40 °C rated value	37 kW
• at 400 V at 40 °C rated value	37 kW
• at 400 V at inside-delta circuit at 40 °C rated value	75 kW
• at 500 V at 40 °C rated value	45 kW
• at 500 V at inside-delta circuit at 40 °C rated value	90 kW
Operating frequency 1 rated value	50 Hz
Operating frequency 2 rated value	60 Hz
relative negative tolerance of the operating frequency	-10 %
relative positive tolerance of the operating frequency	10 %
adjustable motor current	
• at rotary coding switch on switch position 1	32 A
• at rotary coding switch on switch position 2	35 A
• at rotary coding switch on switch position 3	38 A
• at rotary coding switch on switch position 4	41 A
• at rotary coding switch on switch position 5	44 A
• at rotary coding switch on switch position 6	47 A
• at rotary coding switch on switch position 7	50 A
• at rotary coding switch on switch position 8	53 A
• at rotary coding switch on switch position 9	56 A
• at rotary coding switch on switch position 10	59 A
• at rotary coding switch on switch position 11	62 A
• at rotary coding switch on switch position 12	65 A
• at rotary coding switch on switch position 13	68 A
• at rotary coding switch on switch position 14	71 A
• at rotary coding switch on switch position 15	74 A
• at rotary coding switch on switch position 16	77 A
• minimum	32 A
adjustable motor current	
• for inside-delta circuit at rotary coding switch on switch position 1	55.4 A
• for inside-delta circuit at rotary coding switch on switch position 2	60.6 A
• for inside-delta circuit at rotary coding switch on switch position 3	65.8 A
• for inside-delta circuit at rotary coding switch on switch position 4	71 A
• for inside-delta circuit at rotary coding switch on switch position 5	76.2 A
• for inside-delta circuit at rotary coding switch on switch position 6	81.4 A
• for inside-delta circuit at rotary coding switch on switch position 7	86.6 A
• for inside-delta circuit at rotary coding switch on switch position 8	91.8 A
• for inside-delta circuit at rotary coding switch on switch position 9	97 A
• for inside-delta circuit at rotary coding switch on switch position 10	102 A
• for inside-delta circuit at rotary coding switch on switch position 11	107 A
• for inside-delta circuit at rotary coding switch on switch position 12	113 A
• for inside-delta circuit at rotary coding switch on switch position 13	118 A
• for inside-delta circuit at rotary coding switch on switch position 14	123 A
• for inside-delta circuit at rotary coding switch on switch position 15	128 A

<ul style="list-style-type: none"> • for inside-delta circuit at rotary coding switch on switch position 16 • at inside-delta circuit minimum 	133 A 55.4 A
minimum load [%]	15 %; Relative to smallest settable le
power loss [W] for rated value of the current at AC <ul style="list-style-type: none"> • at 40 °C after startup • at 50 °C after startup • at 60 °C after startup 	35 W 32 W 31 W
power loss [W] at AC at current limitation 350 % <ul style="list-style-type: none"> • at 40 °C during startup • at 50 °C during startup • at 60 °C during startup 	1 107 W 933 W 826 W
Control circuit/ Control	
type of voltage of the control supply voltage	AC
control supply voltage at AC <ul style="list-style-type: none"> • at 50 Hz • at 60 Hz 	110 ... 250 V 110 ... 250 V
relative negative tolerance of the control supply voltage at AC at 50 Hz	-15 %
relative positive tolerance of the control supply voltage at AC at 50 Hz	10 %
relative negative tolerance of the control supply voltage at AC at 60 Hz	-15 %
relative positive tolerance of the control supply voltage at AC at 60 Hz	10 %
control supply voltage frequency	50 ... 60 Hz
relative negative tolerance of the control supply voltage frequency	-10 %
relative positive tolerance of the control supply voltage frequency	10 %
control supply current in standby mode rated value	30 mA
holding current in bypass operation rated value	75 mA
locked-rotor current at close of bypass contact maximum	2.5 A
inrush current peak at application of control supply voltage maximum	12.2 A
duration of inrush current peak at application of control supply voltage	2.2 ms
design of the overvoltage protection	Varistor
design of short-circuit protection for control circuit	4 A gG fuse (I _{cu} =1 kA), 6 A quick-acting fuse (I _{cu} =1 kA), C1 miniature circuit breaker (I _{cu} = 600 A), C6 miniature circuit breaker (I _{cu} = 300 A); Is not part of scope of supply
Inputs/ Outputs	
number of digital inputs	1
number of inputs for thermistor connection	0
number of digital outputs <ul style="list-style-type: none"> • not parameterizable 	3 2
digital output version	2 normally-open contacts (NO) / 1 changeover contact (CO)
number of analog outputs	1
switching capacity current of the relay outputs <ul style="list-style-type: none"> • at AC-15 at 250 V rated value • at DC-13 at 24 V rated value 	3 A 1 A
Installation/ mounting/ dimensions	
mounting position	with vertical mounting surface +/-90° rotatable, with vertical mounting surface +/- 22.5° tiltable to the front and back
fastening method	screw fixing
height	306 mm
width	185 mm
depth	203 mm
required spacing with side-by-side mounting <ul style="list-style-type: none"> • forwards 	10 mm

<ul style="list-style-type: none"> • backwards • upwards • downwards • at the side 	<p>0 mm</p> <p>100 mm</p> <p>75 mm</p> <p>5 mm</p>
weight without packaging	5.6 kg
Connections/ Terminals	
type of electrical connection	box terminal
<ul style="list-style-type: none"> • for main current circuit • for control circuit 	screw-type terminals
width of connection bar maximum	25 mm
type of connectable conductor cross-sections	
<ul style="list-style-type: none"> • for main contacts for box terminal using the front clamping point solid 	1x (2.5 ... 16 mm ²)
<ul style="list-style-type: none"> • for main contacts for box terminal using the front clamping point finely stranded with core end processing 	1x (2.5 ... 50 mm ²)
<ul style="list-style-type: none"> • for main contacts for box terminal using the front clamping point stranded 	1x (10 ... 70 mm ²)
<ul style="list-style-type: none"> • at AWG cables for main contacts for box terminal using the front clamping point 	1x (10 ... 2/0)
<ul style="list-style-type: none"> • for main contacts for box terminal using the back clamping point solid 	1x (2.5 ... 16 mm ²)
<ul style="list-style-type: none"> • at AWG cables for main contacts for box terminal using the back clamping point 	1x (10 ... 2/0)
<ul style="list-style-type: none"> • for main contacts for box terminal using both clamping points solid 	2x (2.5 ... 16 mm ²)
<ul style="list-style-type: none"> • for main contacts for box terminal using both clamping points finely stranded with core end processing 	2x (2.5 ... 35 mm ²)
<ul style="list-style-type: none"> • for main contacts for box terminal using both clamping points stranded 	2x (6 ... 16 mm ²), 2x (10 ... 50 mm ²)
<ul style="list-style-type: none"> • for main contacts for box terminal using the back clamping point finely stranded with core end processing 	1x (2.5 ... 50 mm ²)
<ul style="list-style-type: none"> • for main contacts for box terminal using the back clamping point stranded 	1x (10 ... 70 mm ²)
type of connectable conductor cross-sections	
<ul style="list-style-type: none"> • for control circuit solid 	1x (0.5 ... 4.0 mm ²), 2x (0.5 ... 2.5 mm ²)
<ul style="list-style-type: none"> • for control circuit finely stranded with core end processing 	1x (0.5 ... 2.5 mm ²), 2x (0.5 ... 1.5 mm ²)
<ul style="list-style-type: none"> • at AWG cables for control circuit solid 	1x (20 ... 12), 2x (20 ... 14)
wire length	
<ul style="list-style-type: none"> • between soft starter and motor maximum 	800 m
<ul style="list-style-type: none"> • at the digital inputs at AC maximum 	100 m
tightening torque	
<ul style="list-style-type: none"> • for main contacts with screw-type terminals 	4.5 ... 6 N·m
<ul style="list-style-type: none"> • for auxiliary and control contacts with screw-type terminals 	0.8 ... 1.2 N·m
tightening torque [lbf·in]	
<ul style="list-style-type: none"> • for main contacts with screw-type terminals 	40 ... 53 lbf·in
<ul style="list-style-type: none"> • for auxiliary and control contacts with screw-type terminals 	7 ... 10.3 lbf·in
Ambient conditions	
installation altitude at height above sea level maximum	5 000 m; Derating as of 1000 m, see catalog
ambient temperature	
<ul style="list-style-type: none"> • during operation 	-25 ... +60 °C; Please observe derating at temperatures of 40 °C or above
<ul style="list-style-type: none"> • during storage and transport 	-40 ... +80 °C
environmental category	
<ul style="list-style-type: none"> • during operation acc. to IEC 60721 	3K6 (no ice formation, only occasional condensation), 3C3 (no salt mist), 3S2 (sand must not get into the devices), 3M6
<ul style="list-style-type: none"> • during storage acc. to IEC 60721 	1K6 (only occasional condensation), 1C2 (no salt mist), 1S2 (sand must not get inside the devices), 1M4

<ul style="list-style-type: none"> during transport acc. to IEC 60721 	2K2, 2C1, 2S1, 2M2 (max. fall height 0.3 m)	
EMC emitted interference	acc. to IEC 60947-4-2: Class A	
Communication/ Protocol		
communication module is supported		
<ul style="list-style-type: none"> PROFINET standard 	Yes	
<ul style="list-style-type: none"> EtherNet/IP 	Yes	
<ul style="list-style-type: none"> Modbus RTU 	Yes	
<ul style="list-style-type: none"> Modbus TCP 	Yes	
<ul style="list-style-type: none"> PROFIBUS 	Yes	
UL/CSA ratings		
manufacturer's article number		
<ul style="list-style-type: none"> of circuit breaker <ul style="list-style-type: none"> usable for Standard Faults at 460/480 V according to UL usable for High Faults at 460/480 V according to UL usable for Standard Faults at 460/480 V at inside-delta circuit according to UL usable for High Faults at 460/480 V at inside-delta circuit according to UL usable for Standard Faults at 575/600 V according to UL usable for Standard Faults at 575/600 V at inside-delta circuit according to UL of the fuse <ul style="list-style-type: none"> usable for Standard Faults up to 575/600 V according to UL usable for High Faults up to 575/600 V according to UL usable for Standard Faults at inside-delta circuit up to 575/600 V according to UL usable for High Faults at inside-delta circuit up to 575/600 V according to UL 	<p>Siemens type: 3VA51, max. 125 A; I_q = 10 kA</p> <p>Siemens type: 3VA51, max. 125 A; I_q max = 65 kA</p> <p>Siemens type: 3VA51, max. 125 A; I_q = 10 kA</p> <p>Siemens type: 3VA51, max. 125 A; I_q max = 65 kA</p> <p>Siemens type: 3VA51, max. 125 A; I_q = 10 kA</p> <p>Siemens type: 3VA51, max. 125 A; I_q = 10 kA</p> <p>Type: Class RK5 / K5, max. 250 A; I_q = 10 kA</p> <p>Type: Class J / L, max. 250 A; I_q = 100 kA</p> <p>Type: Class RK5 / K5, max. 250 A; I_q = 10 kA</p> <p>Type: Class J / L, max. 250 A; I_q = 100 kA</p>	
operating power [hp] for 3-phase motors		
<ul style="list-style-type: none"> at 200/208 V at 50 °C rated value at 220/230 V at 50 °C rated value at 460/480 V at 50 °C rated value at 575/600 V at 50 °C rated value at 200/208 V at inside-delta circuit at 50 °C rated value at 220/230 V at inside-delta circuit at 50 °C rated value at 460/480 V at inside-delta circuit at 50 °C rated value at 575/600 V at inside-delta circuit at 50 °C rated value 	<p>20 hp</p> <p>25 hp</p> <p>50 hp</p> <p>60 hp</p> <p>30 hp</p> <p>40 hp</p> <p>75 hp</p> <p>100 hp</p>	
contact rating of auxiliary contacts according to UL	R300-B300	
Safety related data		
protection class IP on the front acc. to IEC 60529	IP00; IP20 with cover	
touch protection on the front acc. to IEC 60529	finger-safe, for vertical contact from the front with cover	
electromagnetic compatibility	in accordance with IEC 60947-4-2	
Certificates/ approvals		
General Product Approval	EMC	Declaration of Conformity



[Type Test Certificates/Test Report](#)



other

[Confirmation](#)

Further information

Information- and Downloadcenter (Catalogs, Brochures,...)

<https://www.siemens.com/ic10>

Industry Mall (Online ordering system)

<https://mall.industry.siemens.com/mall/en/en/Catalog/product?mlfb=3RW5226-1AC15>

Cax online generator

<http://support.automation.siemens.com/WW/CAXorder/default.aspx?lang=en&mlfb=3RW5226-1AC15>

Service&Support (Manuals, Certificates, Characteristics, FAQs,...)

<https://support.industry.siemens.com/cs/ww/en/ps/3RW5226-1AC15>

Image database (product images, 2D dimension drawings, 3D models, device circuit diagrams, EPLAN macros, ...)

http://www.automation.siemens.com/bilddb/cax_de.aspx?mlfb=3RW5226-1AC15&lang=en

Characteristic: Tripping characteristics, I²t, Let-through current

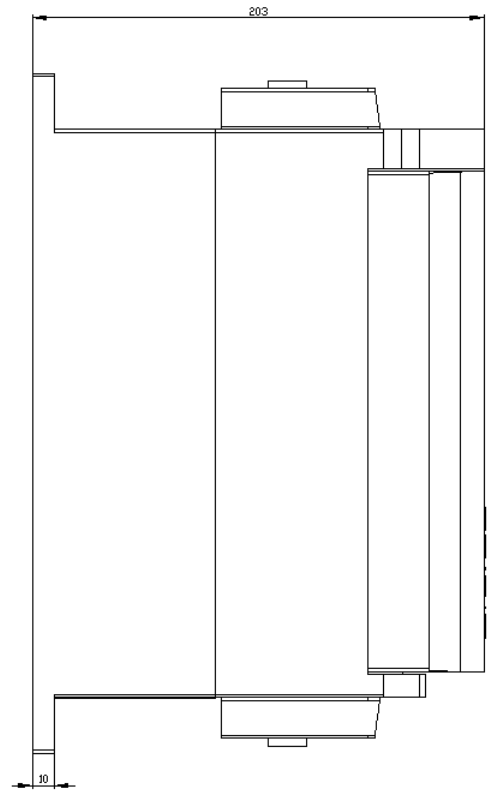
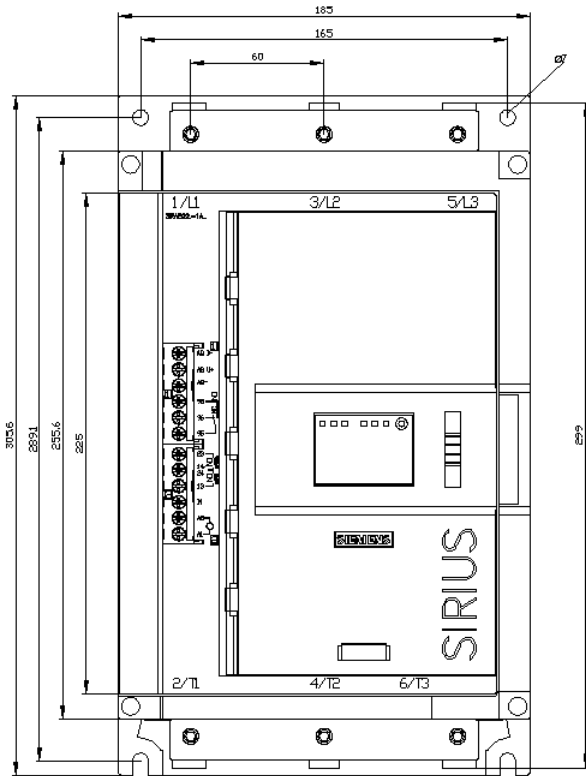
<https://support.industry.siemens.com/cs/ww/en/ps/3RW5226-1AC15/char>

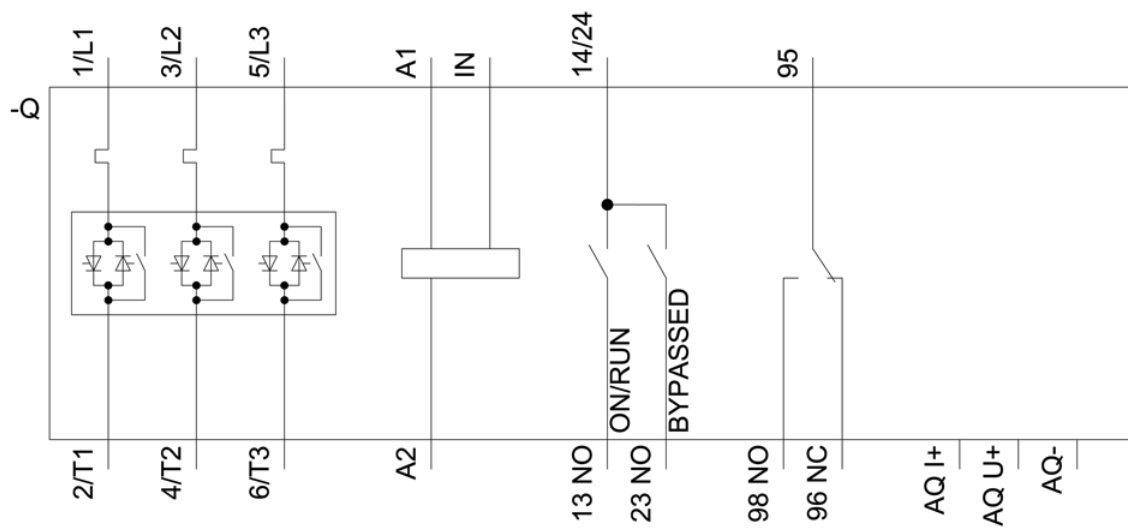
Characteristic: Installation altitude

<http://www.automation.siemens.com/bilddb/index.aspx?view=Search&mlfb=3RW5226-1AC15&objecttype=14&gridview=view1>

Simulation Tool for Soft Starters (STS)

<https://support.industry.siemens.com/cs/ww/en/view/101494917>





last modified:

12/15/2020 