



SIRIUS soft starter 200-600 V 38 A, 110-250 V AC spring-type terminals
Analog output

product brand name	SIRIUS
product category	Hybrid switching devices
product designation	Soft starter
product type designation	3RW52
manufacturer's article number	
<ul style="list-style-type: none"> • of standard HMI module usable • of high feature HMI module usable • of communication module PROFINET standard usable • of communication module PROFIBUS usable • of communication module Modbus TCP usable • of communication module Modbus RTU usable • of communication module Ethernet/IP • of circuit breaker usable at 400 V • of circuit breaker usable at 500 V • of circuit breaker usable at 400 V at inside-delta circuit • of circuit breaker usable at 500 V at inside-delta circuit • of the gG fuse usable up to 690 V • of the gG fuse usable at inside-delta circuit up to 500 V • of full range R fuse link for semiconductor protection usable up to 690 V • of back-up R fuse link for semiconductor protection usable up to 690 V 	<ul style="list-style-type: none"> 3RW5980-0HS00 3RW5980-0HF00 3RW5980-0CS00 3RW5980-0CP00 3RW5980-0CT00 3RW5980-0CR00 3RW5980-0CE00 3RV2032-4WA10; Type of coordination 1, Iq = 65 kA, CLASS 10 3RV2032-4WA10; Type of coordination 1, Iq = 10 kA, CLASS 10 3RV2032-4RA10; Type of coordination 1, Iq = 65 kA, CLASS 10 3RV2032-4RA10; Type of coordination 1, Iq = 10 kA, CLASS 10 3NA3824-6; Type of coordination 1, Iq = 65 kA 3NA3824-6; Type of coordination 1, Iq = 65 kA 3NE1820-0; Type of coordination 2, Iq = 65 kA 3NE8024-1; Type of coordination 2, Iq = 65 kA
General technical data	
starting voltage [%]	30 ... 100 %
stopping voltage [%]	50 ... 50 %
start-up ramp time of soft starter	0 ... 20 s
current limiting value [%] adjustable	130 ... 700 %
certificate of suitability	
<ul style="list-style-type: none"> • CE marking • UL approval • CSA approval 	<ul style="list-style-type: none"> Yes Yes Yes
product component is supported	
<ul style="list-style-type: none"> • HMI-Standard • HMI-High Feature 	<ul style="list-style-type: none"> Yes Yes
product feature integrated bypass contact system	Yes

number of controlled phases	3
trip class	CLASS 10A (default) / 10E / 20E; acc. to IEC 60947-4-2
buffering time in the event of power failure	
• for main current circuit	100 ms
• for control circuit	100 ms
insulation voltage rated value	600 V
degree of pollution	3, acc. to IEC 60947-4-2
impulse voltage rated value	6 kV
blocking voltage of the thyristor maximum	1 600 V
service factor	1
surge voltage resistance rated value	6 kV
maximum permissible voltage for safe isolation	
• between main and auxiliary circuit	600 V
shock resistance	15 g / 11 ms, from 12 g / 11 ms with potential contact lifting
vibration resistance	15 mm to 6 Hz; 2g to 500 Hz
utilization category acc. to IEC 60947-4-2	AC 53a
reference code acc. to IEC 81346-2	Q
Substance Prohibitance (Date)	15.02.2018 00:00:00
product function	
• ramp-up (soft starting)	Yes
• ramp-down (soft stop)	Yes
• Soft Torque	Yes
• adjustable current limitation	Yes
• pump ramp down	Yes
• intrinsic device protection	Yes
• motor overload protection	Yes; Electronic motor overload protection
• evaluation of thermistor motor protection	No
• inside-delta circuit	Yes
• auto-RESET	Yes
• manual RESET	Yes
• remote reset	Yes; By turning off the control supply voltage
• communication function	Yes
• operating measured value display	Yes; Only in conjunction with special accessories
• error logbook	Yes; Only in conjunction with special accessories
• via software parameterizable	No
• via software configurable	Yes
• PROFInergy	Yes; in connection with the PROFINET Standard communication module
• firmware update	Yes
• removable terminal for control circuit	Yes
• torque control	No
• analog output	Yes; 4 ... 20 mA (default) / 0 ... 10 V (parameterizable with High Feature HMI)
Power Electronics	
operational current	
• at 40 °C rated value	38 A
• at 50 °C rated value	34 A
• at 60 °C rated value	31 A
operational current at inside-delta circuit	
• at 40 °C rated value	65.8 A
• at 50 °C rated value	58 A
• at 60 °C rated value	52.8 A
operating voltage	
• rated value	200 ... 600 V
• at inside-delta circuit rated value	200 ... 600 V
relative negative tolerance of the operating voltage	-15 %
relative positive tolerance of the operating voltage	10 %
relative negative tolerance of the operating voltage at inside-delta circuit	-15 %

relative positive tolerance of the operating voltage at inside-delta circuit	10 %
operating power for 3-phase motors	
• at 230 V at 40 °C rated value	11 kW
• at 230 V at inside-delta circuit at 40 °C rated value	18.5 kW
• at 400 V at 40 °C rated value	18.5 kW
• at 400 V at inside-delta circuit at 40 °C rated value	30 kW
• at 500 V at 40 °C rated value	22 kW
• at 500 V at inside-delta circuit at 40 °C rated value	37 kW
Operating frequency 1 rated value	50 Hz
Operating frequency 2 rated value	60 Hz
relative negative tolerance of the operating frequency	-10 %
relative positive tolerance of the operating frequency	10 %
adjustable motor current	
• at rotary coding switch on switch position 1	15.5 A
• at rotary coding switch on switch position 2	17 A
• at rotary coding switch on switch position 3	18.5 A
• at rotary coding switch on switch position 4	20 A
• at rotary coding switch on switch position 5	21.5 A
• at rotary coding switch on switch position 6	23 A
• at rotary coding switch on switch position 7	24.5 A
• at rotary coding switch on switch position 8	26 A
• at rotary coding switch on switch position 9	27.5 A
• at rotary coding switch on switch position 10	29 A
• at rotary coding switch on switch position 11	30.5 A
• at rotary coding switch on switch position 12	32 A
• at rotary coding switch on switch position 13	33.5 A
• at rotary coding switch on switch position 14	35 A
• at rotary coding switch on switch position 15	36.5 A
• at rotary coding switch on switch position 16	38 A
• minimum	15.5 A
adjustable motor current	
• for inside-delta circuit at rotary coding switch on switch position 1	26.8 A
• for inside-delta circuit at rotary coding switch on switch position 2	29.4 A
• for inside-delta circuit at rotary coding switch on switch position 3	32 A
• for inside-delta circuit at rotary coding switch on switch position 4	34.6 A
• for inside-delta circuit at rotary coding switch on switch position 5	37.2 A
• for inside-delta circuit at rotary coding switch on switch position 6	39.8 A
• for inside-delta circuit at rotary coding switch on switch position 7	42.4 A
• for inside-delta circuit at rotary coding switch on switch position 8	45 A
• for inside-delta circuit at rotary coding switch on switch position 9	47.6 A
• for inside-delta circuit at rotary coding switch on switch position 10	50.2 A
• for inside-delta circuit at rotary coding switch on switch position 11	52.8 A
• for inside-delta circuit at rotary coding switch on switch position 12	55.4 A
• for inside-delta circuit at rotary coding switch on switch position 13	58 A
• for inside-delta circuit at rotary coding switch on switch position 14	60.6 A
• for inside-delta circuit at rotary coding switch on switch position 15	63.2 A

<ul style="list-style-type: none"> • for inside-delta circuit at rotary coding switch on switch position 16 	65.8 A
<ul style="list-style-type: none"> • at inside-delta circuit minimum 	26.8 A
minimum load [%]	15 %; Relative to smallest settable le
power loss [W] for rated value of the current at AC	
<ul style="list-style-type: none"> • at 40 °C after startup 	23 W
<ul style="list-style-type: none"> • at 50 °C after startup 	22 W
<ul style="list-style-type: none"> • at 60 °C after startup 	21 W
power loss [W] at AC at current limitation 350 %	
<ul style="list-style-type: none"> • at 40 °C during startup 	628 W
<ul style="list-style-type: none"> • at 50 °C during startup 	526 W
<ul style="list-style-type: none"> • at 60 °C during startup 	464 W
Control circuit/ Control	
type of voltage of the control supply voltage	AC
control supply voltage at AC	
<ul style="list-style-type: none"> • at 50 Hz 	110 ... 250 V
<ul style="list-style-type: none"> • at 60 Hz 	110 ... 250 V
relative negative tolerance of the control supply voltage at AC at 50 Hz	-15 %
relative positive tolerance of the control supply voltage at AC at 50 Hz	10 %
relative negative tolerance of the control supply voltage at AC at 60 Hz	-15 %
relative positive tolerance of the control supply voltage at AC at 60 Hz	10 %
control supply voltage frequency	50 ... 60 Hz
relative negative tolerance of the control supply voltage frequency	-10 %
relative positive tolerance of the control supply voltage frequency	10 %
control supply current in standby mode rated value	30 mA
holding current in bypass operation rated value	75 mA
locked-rotor current at close of bypass contact maximum	0.17 A
inrush current peak at application of control supply voltage maximum	12.2 A
duration of inrush current peak at application of control supply voltage	2.2 ms
design of the overvoltage protection	Varistor
design of short-circuit protection for control circuit	4 A gG fuse (I _{cu} =1 kA), 6 A quick-acting fuse (I _{cu} =1 kA), C1 miniature circuit breaker (I _{cu} = 600 A), C6 miniature circuit breaker (I _{cu} = 300 A); Is not part of scope of supply
Inputs/ Outputs	
number of digital inputs	1
number of inputs for thermistor connection	0
number of digital outputs	3
<ul style="list-style-type: none"> • not parameterizable 	2
digital output version	2 normally-open contacts (NO) / 1 changeover contact (CO)
number of analog outputs	1
switching capacity current of the relay outputs	
<ul style="list-style-type: none"> • at AC-15 at 250 V rated value 	3 A
<ul style="list-style-type: none"> • at DC-13 at 24 V rated value 	1 A
Installation/ mounting/ dimensions	
mounting position	with vertical mounting surface +/-90° rotatable, with vertical mounting surface +/- 22.5° tiltable to the front and back
fastening method	screw fixing
height	275 mm
width	170 mm
depth	152 mm
required spacing with side-by-side mounting	
<ul style="list-style-type: none"> • forwards 	10 mm

<ul style="list-style-type: none"> • backwards • upwards • downwards • at the side 	<p>0 mm</p> <p>100 mm</p> <p>75 mm</p> <p>5 mm</p>
weight without packaging	2.3 kg
Connections/ Terminals	
type of electrical connection <ul style="list-style-type: none"> • for main current circuit • for control circuit 	<p>screw-type terminals</p> <p>spring-loaded terminals</p>
type of connectable conductor cross-sections <ul style="list-style-type: none"> • for main contacts <ul style="list-style-type: none"> — solid — finely stranded with core end processing • at AWG cables for main current circuit solid 	<p>2x (1.0 ... 2.5 mm²), 2x (2.5 ... 10 mm²)</p> <p>2x (1.0 ... 2.5 mm²), 2x (2.5 ... 6.0 mm²)</p> <p>2x (16 ... 12), 2x (14 ... 8)</p>
type of connectable conductor cross-sections <ul style="list-style-type: none"> • for control circuit solid • for control circuit finely stranded with core end processing • at AWG cables for control circuit solid • at AWG cables for control circuit finely stranded with core end processing 	<p>2x (0.25 ... 1.5 mm²)</p> <p>2x (0.25 ... 1.5 mm²)</p> <p>2x (24 ... 16)</p> <p>2x (24 ... 16)</p>
wire length <ul style="list-style-type: none"> • between soft starter and motor maximum • at the digital inputs at AC maximum 	<p>800 m</p> <p>100 m</p>
tightening torque <ul style="list-style-type: none"> • for main contacts with screw-type terminals • for auxiliary and control contacts with screw-type terminals 	<p>2 ... 2.5 N·m</p> <p>0.8 ... 1.2 N·m</p>
tightening torque [lbf·in] <ul style="list-style-type: none"> • for main contacts with screw-type terminals • for auxiliary and control contacts with screw-type terminals 	<p>18 ... 22 lbf·in</p> <p>7 ... 10.3 lbf·in</p>
Ambient conditions	
installation altitude at height above sea level maximum	5 000 m; Derating as of 1000 m, see catalog
ambient temperature <ul style="list-style-type: none"> • during operation • during storage and transport 	<p>-25 ... +60 °C; Please observe derating at temperatures of 40 °C or above</p> <p>-40 ... +80 °C</p>
environmental category <ul style="list-style-type: none"> • during operation acc. to IEC 60721 • during storage acc. to IEC 60721 • during transport acc. to IEC 60721 	<p>3K6 (no ice formation, only occasional condensation), 3C3 (no salt mist), 3S2 (sand must not get into the devices), 3M6</p> <p>1K6 (only occasional condensation), 1C2 (no salt mist), 1S2 (sand must not get inside the devices), 1M4</p> <p>2K2, 2C1, 2S1, 2M2 (max. fall height 0.3 m)</p>
EMC emitted interference	acc. to IEC 60947-4-2: Class A
Communication/ Protocol	
communication module is supported <ul style="list-style-type: none"> • PROFINET standard • EtherNet/IP • Modbus RTU • Modbus TCP • PROFIBUS 	<p>Yes</p> <p>Yes</p> <p>Yes</p> <p>Yes</p> <p>Yes</p>
UL/CSA ratings	
manufacturer's article number <ul style="list-style-type: none"> • of circuit breaker <ul style="list-style-type: none"> — usable for Standard Faults at 460/480 V according to UL — usable for High Faults at 460/480 V according to UL — usable for Standard Faults at 460/480 V at 	<p>Siemens type: 3RV2742, max. 70 A or 3VA51, max. 125 A; I_q = 5 kA</p> <p>Siemens type: 3RV2742, max.40 A or 3VA51, max. 60 A; I_q max = 65 kA</p> <p>Siemens type: 3RV2742, max. 70 A or 3VA51, max. 125 A; I_q = 5 kA</p>

inside-delta circuit according to UL
 — usable for High Faults at 460/480 V at inside-delta circuit according to UL
 — usable for Standard Faults at 575/600 V according to UL
 — usable for Standard Faults at 575/600 V at inside-delta circuit according to UL

● of the fuse

— usable for Standard Faults up to 575/600 V according to UL
 — usable for High Faults up to 575/600 V according to UL
 — usable for Standard Faults at inside-delta circuit up to 575/600 V according to UL
 — usable for High Faults at inside-delta circuit up to 575/600 V according to UL

Siemens type: 3VA51, max. 60 A; Iq max = 65 kA

Siemens type: 3RV2742, max. 70 A or 3VA51, max. 125 A; Iq = 5 kA

Siemens type: 3RV2742, max. 70 A or 3VA51, max. 125 A; Iq = 5 kA

Type: Class RK5 / K5, max. 150 A; Iq = 5 kA

Type: Class J / L, max. 150 A; Iq = 100 kA

Type: Class RK5 / K5, max. 150 A; Iq = 5 kA

Type: Class J / L, max. 150 A; Iq = 100 kA

operating power [hp] for 3-phase motors

- at 200/208 V at 50 °C rated value
- at 220/230 V at 50 °C rated value
- at 460/480 V at 50 °C rated value
- at 575/600 V at 50 °C rated value
- at 200/208 V at inside-delta circuit at 50 °C rated value
- at 220/230 V at inside-delta circuit at 50 °C rated value
- at 460/480 V at inside-delta circuit at 50 °C rated value
- at 575/600 V at inside-delta circuit at 50 °C rated value

- 10 hp
- 10 hp
- 20 hp
- 30 hp
- 15 hp
- 20 hp
- 40 hp
- 50 hp

contact rating of auxiliary contacts according to UL

R300-B300

Safety related data

protection class IP on the front acc. to IEC 60529

IP20

touch protection on the front acc. to IEC 60529

finger-safe, for vertical contact from the front

electromagnetic compatibility

in accordance with IEC 60947-4-2

Certificates/ approvals

General Product Approval

EMC

Declaration of Conformity



Test Certificates

Marine / Shipping

[Type Test Certificates/Test Report](#)



other

[Confirmation](#)

Further information

Information- and Downloadcenter (Catalogs, Brochures,...)

<https://www.siemens.com/ic10>

Industry Mall (Online ordering system)

<https://mall.industry.siemens.com/mall/en/en/Catalog/product?mlfb=3RW5217-3AC15>

Cax online generator

<http://support.automation.siemens.com/WW/CAXorder/default.aspx?lang=en&mlfb=3RW5217-3AC15>

Service&Support (Manuals, Certificates, Characteristics, FAQs,...)

<https://support.industry.siemens.com/cs/ww/en/ps/3RW5217-3AC15>

Image database (product images, 2D dimension drawings, 3D models, device circuit diagrams, EPLAN macros, ...)

http://www.automation.siemens.com/bilddb/cax_de.aspx?mlfb=3RW5217-3AC15&lang=en

Characteristic: Tripping characteristics, I²t, Let-through current

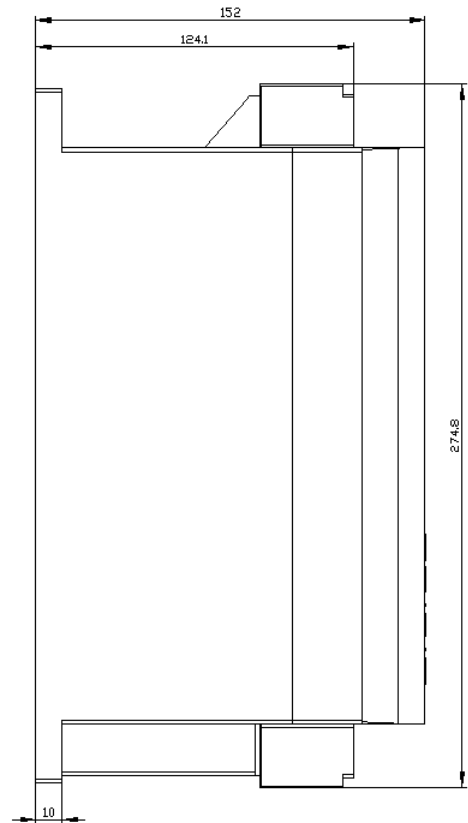
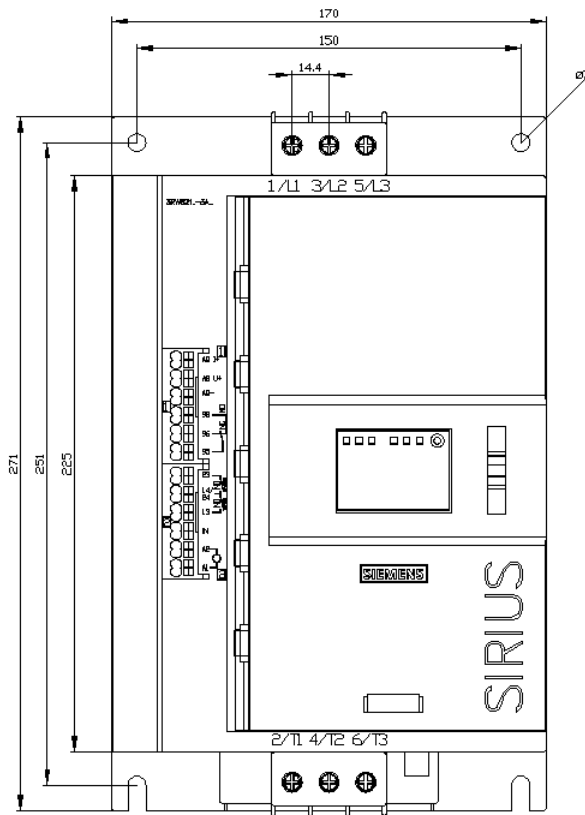
<https://support.industry.siemens.com/cs/ww/en/ps/3RW5217-3AC15/char>

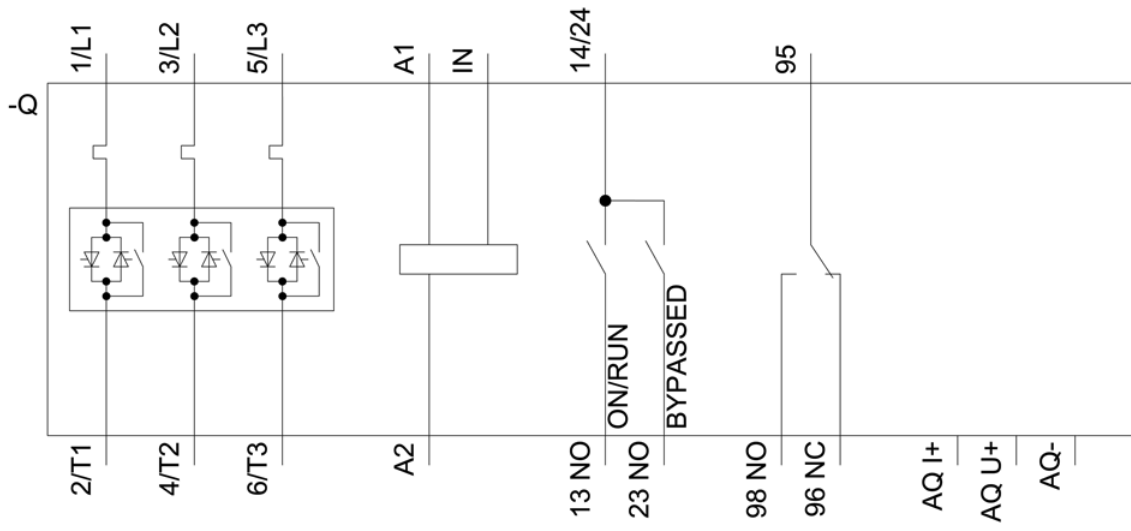
Characteristic: Installation altitude

<http://www.automation.siemens.com/bilddb/index.aspx?view=Search&mlfb=3RW5217-3AC15&objecttype=14&gridview=view1>

Simulation Tool for Soft Starters (STS)

<https://support.industry.siemens.com/cs/ww/en/view/101494917>





last modified:

8/10/2021 