

Introduction		B5/2	
TeSys GS Switch-disconnector fuses			
Type of product	Range		Pages
IEC - Switch-disconnector fuses For NFC / DIN fuses	From 32 to 1250 A		B5/4
IEC - Switch-disconnector fuses For BS fuses	From 32 to 1250 A		B5/6
UL - Switch-disconnector fuses For CC / J fuses	From 30 to 800 A		B5/8
NFC - Cartridge fuses Type aM, gG	From 0.16 to 125 A		B5/10
DIN - Cartridge fuses Type aM, gG	From 10 to 1250 A		B5/11
Auxiliary contacts for IEC and UL switch-disconnector fuses	From 32 to 1250 A		B5/12
Handles	From 32 to 1250 A		B5/13
Other accessories	From 32 to 1250 A		B5/14
Technical Data for Designers		B5/15	

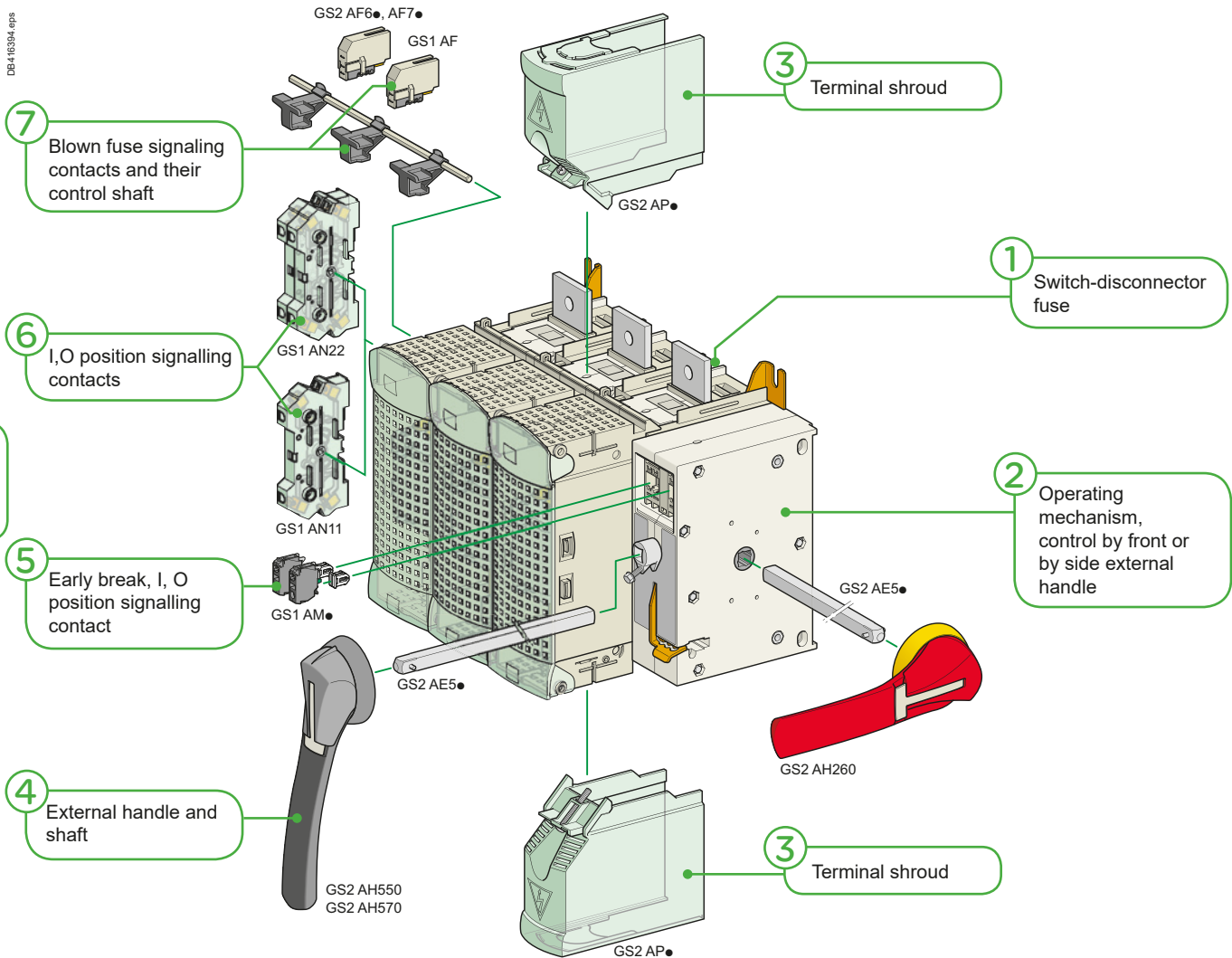
# TeSys

## TeSys GS Switch-disconnector-fuses

### Introduction

#### A customizable functional block

Whatever its rating, the switch-disconnector fuse fits the need: particular position of the handle, triggering of an automatic control before full opening, enhanced protection of terminals...



Switch-disconnectors fuses



Customizable

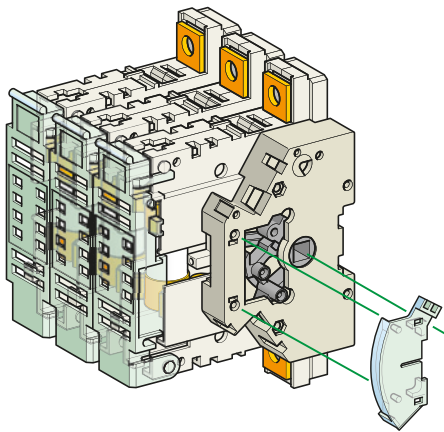
#### GS2630 A switch-disconnector fuse

- 1 Switch-disconnector fuse**
  - NFC/DIN or BS fuse compatible
  - Enhanced isolation between poles
  - On-load making/breaking with double break isolation of the power circuit
- 2 Operating mechanism**
  - For one front or side external handle, right or left side
  - Cavity for early-break contacts
- 3 Terminal shrouds**
  - For use when the switch-disconnector fuse is installed outside an enclosure or when the operating voltage is over 500 V AC
- 4 Operating handle**
  - Padlockable in open position
- 5 GS1AN●● Position signalling contacts**
  - Synchronized with the poles operation
- 6 GS1AM●●● Early-break signalling contacts**
  - Activated before the poles are opened
- 7 GS1AF●● Blown fuse signalling contacts**
  - A missing fuse is also indicated

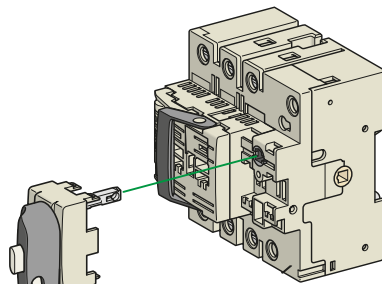
## Simplicity of the direct operating

The mounting of an operating handle directly on the side of the switch-disconnector fuse is a simple operation. This handle will be for use by qualified personnel only. As the mechanical design is simplified, the manoeuvre will be immediately understood by the operator. Each handle can be padlocked in open position. Locking device for 3 padlocks.

DB416395.eps



DB416396.eps



GS1 AH103

Position of the handle, a free choice

**GS2DB3 - 32 A switch-disconnector fuse**  
 Direct front operating

**GS1JD3 - 100 A switch-disconnector fuse**  
 Direct lateral operating

GS1 AH01  
 GS1 AH02

Switch-disconnectors fuses

## Performance remote operating

Located on the front or side panel of an enclosure, the operating handle provide complementary features:

- simple (IP55) or reinforced (IP65) protection against dust
- intermediate "Test" position
- door interlock when the handle is in "Close" position, opening by mean of a special tool is needed for opening.
- optional key-operated handle lock

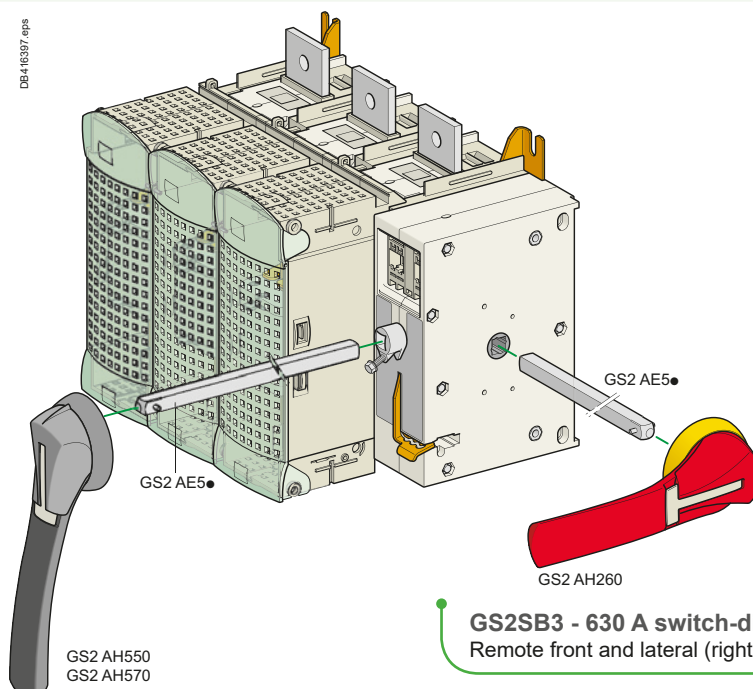


The handles are available in different lengths. They are chosen according the operating effort which depends on the rating of the switch-disconnector fuse.

The drive shaft can be cut to the ideal length.

The choice of a red and yellow handle (CNOMO standard) will identify an "Emergency Stop handle" among others handles, generally black and gray.

DB416397.eps



GS2 AH550  
 GS2 AH570

**GS2SB3 - 630 A switch-disconnector fuse**  
 Remote front and lateral (right only) operating

**IEC - For NFC / DIN fuses - From 32 to 1250 A**



Rating	A		32		50		63		100		125	
Number of poles	3	3+N	3	4	3	4	3	4	3	4	3	4
Fuse size	10 x 38		14 x 51		Size 000		22 x 58		22 x 58			

**For direct operators**

Switch-disconnector fuses reference	GS1DD3	GS1DD4	GS1FD3	GS1FD4	GS1GD3	GS1GD4	GS1JD3	GS1JD4	GS1KD3	GS1KD4
Handle	Black									
Auxiliary contacts	O/I + Test	1NO + 1NC	-	-	-	-	-	-	-	-
	O/I + early break	2NO + 2NC	-	-	-	-	-	-	-	-
			GS1AM111 (1 OF)	GS1AM1 (1 OF)						
			GS1AM211 (2 OF)	GS1AM2 (2 OF)						
Blown fuse	-	-	GS1AF1	-	-	-	GS1AF23	GS1AF24	GS1AF23	GS1AF24

**For external left hand side-mounted operators**

Switch-disconnector fuses reference	GS1DD3	GS1DD4	GS2FG3	GS2FG4	GS2GG3	GS2GG4	GS2JG3	GS2JG4	GS2KG3	GS2KG4
Handle	Black/Grey	IP65								
	Red/Yellow	IP65								
Auxiliary contacts	O/I + Test	1NO + 1NC	-		GS1AN11G					
	O/I + early break	2NO + 2NC	-		GS1AN22G					
			GS1AM110							
			GS1AM101							
Blown fuse	-	-	GS1AF1	-	-	-	GS1AF23	GS1AF24	GS1AF23	GS1AF24

**For external front-mounted and right-hand side-mounted operators**

Switch-disconnector fuses reference	GS1DD3	GS1DD4	GS2F3	GS2F4	GS2G3	GS2G4	GS2J3	GS2J4	GS2K3	GS2K4
Front-mounted handle	Black/Grey	IP55					GS2AH535			
	Black/Grey	IP65					GS2AH530			
	Red/Yellow	IP65					GS2AH540			
Front-mounted handle + Test position	Black/Grey	IP65					GS2AHT530			
	Red/Yellow	IP65					GS2AHT540			
RH side-mounted handle	Black/Grey	IP55					GS2AH235			
	Black/Grey	IP65					GS2AH230			
	Red/Yellow	IP65					GS2AH240			
Auxiliary contacts	O/I + Test	1NO + 1NC	-		GS1AN11					
		2NO + 2NC	-		GS1AN22					
		1NO + 1NC + test	-		GS1ANT11					
		2NO + 2NC + test	-		GS1ANT22					
	O/I + Test + early break	1NO	-		GS1AM110					
		1NC	-		GS1AM101					
Blown fuse	-	-	GS1AF1	-	-	-	GS1AF23	GS1AF24	GS1AF23	GS1AF24

**Accessories**

Shaft for external handle (mm)	200	GS2AE82	GS2AE22	
	320	GS2AE8	GS2AE2	
	400	GS2AE81	GS2AE21	
Terminal shroud		Integrated		GS1AP33 (3P), GS1AP34 (4P)

**Dimensions**

Direct front-mounted version	page B5/23	page B5/24
External front-mounted version	page B5/23	page B5/25

**Handles**

See details on handles page B5/13.



GS1KKD3



GS1LLD4



GS1ND3

125

3 4  
Size 00

160

3 4 3 4  
Size 00

250

3 4  
Size 1

400

3 4  
Size 2

630

3 4  
Size 3

1250

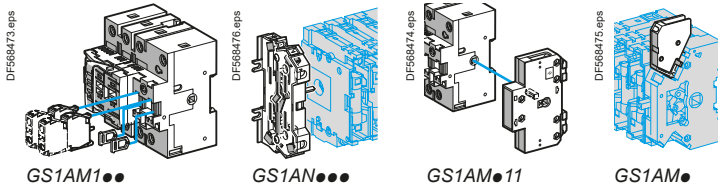
3 4  
Size 4

GS1KKD3	GS1KKD4	GS1LLD3	GS1LLD4	GS1LD3	GS1LD4	GS1ND3	GS1ND4	GS1QQD3	GS1QQD4	GS2S3	GS2S4	GS2V3	GS2V4
GS1AH02										GS2AH104		GS2AH105	
GS1AN11													
GS1AN22													
GS1AM1 (1 OF)										GS1AM110 (1 NO)			
GS1AM2 (2 OF)										GS1AM101 (1 NC)			
-				GS1AF33	GS1AF34	GS1AF43	GS1AF44	GS1AF43	GS1AF44	GS2AF63	GS2AF64	GS2AF73	GS2AF74
GS2KKG3	GS2KKG4	GS2LLG3	GS2LLG4	GS2LG3	GS2LG4	GS2NG3	GS2NG4	GS2QQG3	GS2QQG4	GS2SG3	GS2SG4	GS2VG3	GS2VG4
GS2AH330										GS2AH350			
GS2AH340										GS2AH360			
GS1AN11G													
GS1AN22G													
GS1AM110													
GS1AM101													
-				GS1AF33	GS1AF34	GS1AF43	GS1AF44	GS1AF43	GS1AF44	GS2AF63	GS2AF64	GS2AF73	GS2AF74
GS2KK3	GS2KK4	GS2LL3	GS2LL4	GS2L3	GS2L4	GS2N3	GS2N4	GS2QQ3	GS2QQ4	GS2S3	GS2S4	GS2V3	GS2V4
GS2AH535										-			
GS2AH530										GS2AH550		GS2AH570	
GS2AH540										GS2AH560		GS2AH580	
GS2AHT530										-			
GS2AHT540										-			
GS2AH235										-			
GS2AH230										GS2AH250			
GS2AH240										GS2AH260			
GS1AN11													
GS1AN22													
GS1ANT11										-			
GS1ANT22										-			
GS1AM110										-			
GS1AM101										-			
-				GS1AF33	GS1AF34	GS1AF43	GS1AF44	GS1AF43	GS1AF44	GS2AF63	GS2AF64	GS2AF73	GS2AF74
GS2AE22										GS2AE52			
GS2AE2										GS2AE5			
GS2AE21										GS2AE51			
GS1AP33 (3P), GS1AP34 (4P)						GS1AP43 (3P), GS1AP44 (4P)				GS2AP73	GS2AP64	GS2AP83	GS2AP84
page B5/24										page B5/26			
page B5/25										page B5/27			



Switch-disconnectors fuses

### Auxiliary contacts



### Maximal number of auxiliary contacts

Switch rating (A)	Standard configuration	With additional bracket	Reference of additional bracket
30...32	4	4	GS1AD10 <sup>(1)</sup>
32...400	4	4	GS2AD20 <sup>(2)</sup>
200...400	8	8	GS2AD20 <sup>(2)</sup>
630...1250	8	-	-

<sup>(1)</sup> Only compatible with switch disconnector fuses starting by GS1D●●  
<sup>(2)</sup> Only compatible with switch disconnector fuses starting by GS2●●●



See details on auxiliary contacts, page B5/12.

#### IEC - For BS fuses - From 32 to 1250 A



GS1DDB3



GS2JB3

Rating	A	32		63		100		160	
Number of poles		3	3+N	3	4	3	4	3	4
Fuse size		A1		A1		A2-A3		A4	

#### For direct operators

Switch-disconnector fuses reference	GS1DDB3	GS1DDB4	-
Handle	Black	GS1AH103	-
Auxiliary contacts	O/I + Test	1NO + 1NC	-
		2NO + 2NC	-
O/I + early break		GS1AM111 (1 OF)	-
		GS1AM211 (2 OF)	-

#### For external front-mounted and right-hand side-mounted operators

Switch-disconnector fuses reference	GS1DDB3	GS1DDB4	GS2DDB3	GS2DDB4	GS2GB3	GS2GB4	GS2JB3	GS2JB4	GS2LLB3	GS2LLB4	GS2LB3	GS2LB4
Front-mounted handle	Black/Grey	IP55	GS2AH515				GS2AH535					
	Black/Grey	IP65	GS2AH510				GS2AH530					
	Red/Yellow	IP65	GS2AH520				GS2AH540					
Front-mounted handle + Test position	Black/Grey	IP65	GS2AHT510				GS2AHT530					
	Red/Yellow	IP65	GS2AHT520				GS2AHT540					
RH side-mounted handle	Black/Grey	IP55	GS2AH215				GS2AH235					
	Black/Grey	IP65	GS2AH210				GS2AH230					
	Red/Yellow	IP65	GS2AH220				GS2AH240					
Auxiliary contacts	O/I + Test	1NO + 1NC	-				GS1AN11					
		2NO + 2NC	-				GS1AN22					
		1NO + 1NC + test	-				GS1ANT11					
		2NO + 2NC + test	-				GS1ANT22					
	O/I + Test + early break	1NO	GS1AM110 - max 4 contacts									
	1NC	GS1AM101 - max 4 contacts										

#### Accessories

Shaft for external handle (mm)	200	GS2AE82	GS2AE22
	320	GS2AE8	GS2AE2
	400	GS2AE81	GS2AE21
Terminal shroud	Integrated	GS1AP33 (3P), GS1AP34 (4P)	

#### Dimensions

Direct front-mounted version	page B5/23	page B5/24
	External front-mounted version	page B5/23



GS2MMB3



GS2SB3

200		250		315		400		630		800		1250	
3	4	3	4	3	4	3	4	3	4	3	4	3	4
B1-B2		B1...B3		B1...B3		B1...B4		C1-C2		C1...C3		D1	
-													
-													
-													
-													
-													
-													
GS2MMB3	GS2MMB4	GS2NB3	GS2NB4	GS2PPB3	GS2PPB4	GS2QQB3	GS2QQB4	GS2SB3	GS2SB4	GS2TB3	GS2TB4	GS2VB3	GS2VB4
GS2AH535								-					
GS2AH530								GS2AH550				GS2AH570	
GS2AH540								GS2AH560				GS2AH580	
GS2AHT530								-					
GS2AHT540								-					
GS2AH235								-					
GS2AH230								GS2AH250					
GS2AH240								GS2AH260					
GS1AN11													
GS1AN22													
GS1ANT11								-					
GS1ANT22								-					
GS1AM110 - max 8 contacts													
GS1AM101 - max 8 contacts													
GS2AE22								GS2AE52					
GS2AE2								GS2AE5					
GS2AE21								GS2AE51					
GS1AP43 (3P), GS1AP44 (4P)								GS2AP73 (3P), GS2AP64 (4P)				GS2AP83 GS2AP84	
page B5/24								page B5/26					
page B5/25								page B5/27					



Switch-disconnectors  
fuses

UL - For CC and J fuses - From 32 to 800 A



GS1DU3



GS2GU3N

Rating		30 Compact		30		60		100					
Number of poles		3		3		3		3					
Fuse size		CC	J	CC	J	J	J						
<b>For direct operators</b>													
Switch-disconnector fuses reference		GS1DDU3		GS1DU3		-		-					
Handle	Black	GS1AH106		-		-		-					
Auxiliary contacts	O/I + Test	1NO + 1NC		-		-		-					
		2NO + 2NC		-		-		-					
O/I + early break	1NO	GS1AM110 + GS1AD10		-		-		-					
	1NC	GS1AM101 + GS1AD10		-		-		-					
<b>For external front-mounted operators</b>													
Switch-disconnector fuses reference		GS1DDU3		GS1DU3		GS2EEU3		GS2EU3N		GS2GU3N		GS2JU3N	
Front-mounted handle	Black/Grey	1,3R, 12	GS2AH110		GS2AH130		GS2AH110		GS2AH130				
		4, 4X	GS2AH410		GS2AH430		GS2AH110		GS2AH130				
	Red/Yellow	1,3R, 12	GS2AH120		GS2AH140		GS2AH110		GS2AH130				
		4, 4X	GS2AH420		GS2AH440		GS2AH110		GS2AH130				
Front-mounted handle + Test position	Black/Grey	1,3R, 12	GS2AHT110		GS2AHT130		GS2AHT110		GS2AHT130				
		4, 4X	GS2AHT410		GS2AHT430		GS2AHT110		GS2AHT130				
	Red/Yellow	1,3R, 12	GS2AHT120		GS2AHT140		GS2AHT110		GS2AHT130				
		4, 4X	GS2AHT420		GS2AHT440		GS2AHT110		GS2AHT130				
Auxiliary contacts	O/I + Test	1NO + 1NC	-		GS1AN11		GS1AN11		GS1AN11				
		2NO + 2NC	-		GS1AN22		GS1AN22		GS1AN22				
		1NO + 1NC + test	-		GS1ANT11		GS1ANT11		GS1ANT11				
		2NO + 2NC + test	-		GS1ANT22		GS1ANT22		GS1ANT22				
O/I + Test + early break	1NO	GS1AM110 - max 4 contacts <sup>(1)</sup>		GS1AM110 - max 4 contacts <sup>(1)</sup>		GS1AM110 - max 4 contacts <sup>(1)</sup>		GS1AM110 - max 4 contacts <sup>(1)</sup>					
	1NC	GS1AM101 - max 4 contacts <sup>(1)</sup>		GS1AM101 - max 4 contacts <sup>(1)</sup>		GS1AM101 - max 4 contacts <sup>(1)</sup>		GS1AM101 - max 4 contacts <sup>(1)</sup>					
<b>Accessories</b>													
Shaft for external handle (mm)	320	GS2AE8		GS2AE2		GS2AE2		GS2AE2					
	400	GS2AE81		GS2AE21		GS2AE21		GS2AE21					
Terminal shroud	Integrated												
<b>Dimensions</b>													
	Direct front-mounted version	page B5/23				page B5/24				page B5/24			
	External front-mounted version	page B5/23				page B5/25				page B5/25			

(1) 4 more contacts allowed with GS1AD10 additional bracket.





GS2QU3N



GS2TU3

	200	400	600	800
	3	3	3	3
	J	J	J	J
	-	-	-	-
	-	-	-	-
	-	-	-	-
	-	-	-	-
	-	-	-	-
	GS2MU3N	GS2QU3N	GS2SU3	GS2TU3
	GS2AH130		-	
	GS2AH430		GS2AH150	
	GS2AH140		-	
	GS2AH440		GS2AH160	
	GS2AHT130		-	
	GS2AHT430		-	
	GS2AHT140		-	
	GS2AHT440		-	
	GS1AN11			
	GS1AN22			
	GS1ANT11		-	
	GS1ANT22		-	
	GS1AM110 - max 8 contacts <sup>(1)</sup>		GS1AM110 - max 8 contacts only	
	GS1AM101 - max 8 contacts <sup>(1)</sup>		GS1AM101 - max 8 contacts only	
	GS2AE2		GS2AE5	
	GS2AE21		GS2AE51	
	GS2AP43	GS2AP53	GS2AP73	
	page B5/24		page B5/26	
	page B5/25		page B5/27	

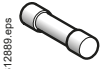
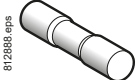
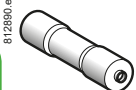
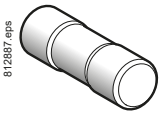


Switch-disconnectors  
fuses

# TeSys

## TeSys GS Switch-disconnector-fuses

### Product references

NFC Cartridge fuses - Type aM / gG - From 0.16 to 125 A											
Fuse type	Maximum rated voltage	Rating	Sold in lots of	Fuses without striker		Fuses with striker					
				Unit reference		Unit reference					
	V ~	A		aM	gG	aM	gG				
 DF2CA●●● DF2CN●●●	Cylindrical 8.5 x 31.5	400	1	10	DF2BA0100	DF2BN0100	-	-			
			2	10	DF2BA0200	DF2BN0200	-	-			
			4	10	DF2BA0400	DF2BN0400	-	-			
			6	10	DF2BA0600	DF2BN0600	-	-			
			8	10	DF2BA0800	DF2BN0800	-	-			
			10	10	DF2BA1000	DF2BN1000	-	-			
			12	10	-	DF2BN1200	-	-			
			16	10	-	DF2BN1600	-	-			
			20	10	-	DF2BN2000	-	-			
			 DF2EA●●● DF2EN●●●	Cylindrical 10 x 38	500	0.16	10	DF2CA001	-	-	-
0.25	10	DF2CA002				-	-	-			
0.50	10	DF2CA005				-	-	-			
1	10	DF2CA01				-	-	-			
2	10	DF2CA02				DF2CN02	-	-			
4	10	DF2CA04				DF2CN04	-	-			
6	10	DF2CA06				DF2CN06	-	-			
8	10	DF2CA08				DF2CN08	-	-			
10	10	DF2CA10				DF2CN10	-	-			
12	10	DF2CA12				DF2CN12	-	-			
16	10	DF2CA16				DF2CN16	-	-			
20	10	-				DF2CN20	-	-			
 DF3EA●●● DF3EN●●●	Cylindrical 14 x 51	400				20	10	DF2CA20	-	-	
						25	10	DF2CA25	DF2CN25	-	-
						32	10	DF2CA32	DF2CN32	-	-
						40	10	-	-	-	-
 DF2FA●●● DF2FN●●●	Cylindrical 22 x 58	690	0.25	10	DF2EA002	-	-				
			0.50	10	DF2EA005	-	-				
		500	1	10	DF2EA01	-	-	-			
			2	10	DF2EA02	-	DF3EA02	-			
			4	10	DF2EA04	DF2EN04	DF3EA04	DF3EN04			
			6	10	DF2EA06	DF2EN06	DF3EA06	DF3EN06			
			8	10	DF2EA08	-	DF3EA08	-			
			10	10	DF2EA10	DF2EN10	DF3EA10	DF3EN10			
			12	10	DF2EA12	-	DF3EA12	-			
			16	10	DF2EA16	DF2EN16	DF3EA16	DF3EN16			
20	10	DF2EA20	DF2EN20	DF3EA20	DF3EN20						
500	25	10	DF2EA25	DF2EN25	DF3EA25	DF3EN25					
	32	10	DF2EA32	DF2EN32	DF3EA32	DF3EN32					
	40	10	DF2EA40	DF2EN40	DF3EA40	DF3EN40					
	50	10	DF2EA50	DF2EN50	DF3EA50	-					
	400	4	10	DF2FA04	-	DF3FA04	-				
		6	10	DF2FA06	-	DF3FA06	-				
		8	10	DF2FA08	-	DF3FA08	-				
		10	10	DF2FA10	DF2FN10	DF3FA10	DF3FN10				
		16	10	DF2FA16	-	DF3FA16	-				
		20	10	DF2FA20	DF2FN20	DF3FA20	DF3FN20				
25		10	DF2FA25	DF2FN25	DF3FA25	DF3FN25					
32		10	DF2FA32	DF2FN32	DF3FA32	DF3FN32					
40		10	DF2FA40	DF2FN40	DF3FA40	DF3FN40					
50		10	DF2FA50	DF2FN50	DF3FA50	DF3FN50					
500	63	10	DF2FA63	DF2FN63	DF3FA63	DF3FN63					
	80	10	DF2FA80	DF2FN80	DF3FA80	DF3FN80					
	100	10	DF2FA100	DF2FN100	DF3FA100	DF3FN100					
400	125	10	DF2FA125	-	DF3FA125	-					



For protection of equipment with current peaks  
For protection of circuits without significant current peaks

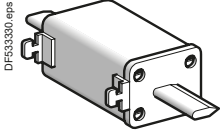
# TeSys

## TeSys GS Switch-disconnector-fuses

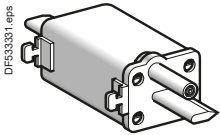
### Product references

#### DIN Cartridge fuses - Type aM /gG - From 10 to 1250 A

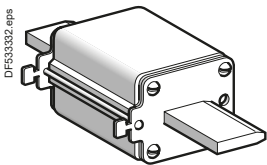
Fuse type	Maximum rated voltage	Rating	Sold in lots of		Fuses without striker		Fuses with striker	
			aM	gG	aM	gG	aM	gG
	V ~	A			Unit reference		Unit reference	
Blade size 000	690	10	-	10	-	DF2FGN10	-	-
		16	3	10	DF2FGA16	DF2FGN16	-	-
		20	3	10	DF2FGA20	DF2FGN20	-	-
		25	3	10	DF2FGA25	DF2FGN25	-	-
		32	3	10	DF2FGA32	DF2FGN32	-	-
		40	3	10	DF2FGA40	DF2FGN40	-	-
		50	3	10	DF2FGA50	DF2FGN50	-	-
		63	3	10	DF2FGA63	DF2FGN63	-	-
		80	-	10	-	DF2FGN80	-	-
		Blade size 00	690	80	3	-	DF2FGA80	-
100	3			10	DF2FGA100	DF2FGN100	-	-
125	3			10	DF2FGA125	DF2FGN125	-	-
Blade size 0	690	160	-	10	-	DF2FGN160	-	-
		50	3	3	DF2GA1051	DF2GN1051	-	-
		63	3	3	DF2GA1061	DF2GN1061	-	-
		80	3	3	DF2GA1081	DF2GN1081	-	-
		100	3	3	DF2GA1101	DF2GN1101	-	-
		125	3	3	DF2GA1121	DF2GN1121	DF4GA1121	-
		160	3	3	DF2GA1161	DF2GN1161	DF4GA1161	-
500	500	125	-	3	-	-	-	DF4GN1121
		160	-	3	-	-	-	DF4GN1161
		200	3	-	DF2GA1201	-	DF4GA1201	-
		250	3	3	DF2HA1161	DF2HN1161	-	-
Blade size 1	690	200	3	3	DF2HA1201	DF2HN1201	DF4HA1201	DF4HN1201
		250	3	-	DF2HA1251	-	DF4HA1251	-
		500	250	-	3	-	DF2HN1251	-
Blade size 2	690	315	3	-	DF2HA1311	-	DF4HA1311	-
		250	3	3	DF2JA1251	DF2JN1251	-	-
		315	3	3	DF2JA1311	DF2JN1311	DF4JA1311	DF4JN1311
		400	3	-	DF2JA1401	-	DF4JA1401	-
		500	400	-	3	-	DF2JN1401	-
Blade size 3	690	500	3	-	DF2JA1501	-	DF4JA1501	-
		400	3	-	DF2KA1401	-	-	-
		500	3	3	DF2KA1501	-	DF4KA1501	DF4KN1501
		500	500	-	3	-	DF2KN1501	-
Blade size 4	690	630	3	3	DF2KA1631	DF2KN1631	DF4KA1631	DF4KN1631
		800	1	3	DF2LA1801	-	DF4LA1801	DF4LN1801
		1000	1	-	DF2LA1101	-	DF4LA1101	-
500	500	800	-	1	-	DF2LN1801	-	-
		1000	-	1	-	DF2LN1101	-	DF4LN1101
		1250	1	1	DF2LA1251	DF2LN1251	DF4LA1251	DF4LN1251



DF2GA.....  
DF2GN.....



DF4GA.....  
DF4GN.....

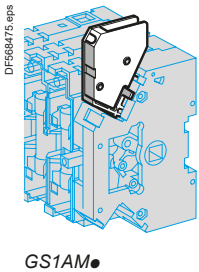
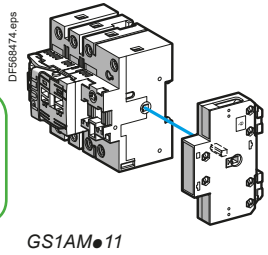
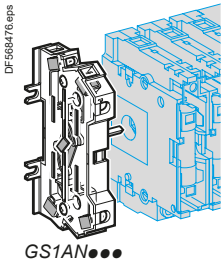
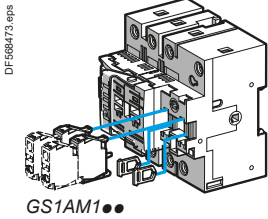


DF2JA.....  
DF2JN.....

Switch-disconnectors fuses



For protection of equipment with current peaks  
For protection of circuits without significant current peaks



**Auxiliary contacts for IEC and UL switch-disconnector-fuses**

**Auxiliary early break and/or O, I and Test position signalling contacts <sup>(1) (2) (3)</sup>**

Switch rating	Contact type	Type of operator	Rated operating current I <sub>e</sub> (A)		Reference
			< 24 V DC	< 240 V AC	
A (CEI)	A (UL)				
32...1250	30 Compact 30...800	1 N/O 1 N/C	External, front or side-mounted <sup>(4)</sup>	2.8 3	GS1AM110 GS1AM101

**Auxiliary O, I and Test position signalling contacts <sup>(3) (5)</sup>**

Switch rating	Contact type	Type of operator	Rated operating current I <sub>e</sub> (A)		Reference
			< 24 V DC	< 240 V AC	
A (CEI)	A (UL)				
50...1250	30...800	1 N/C + 1 N/O Direct	External, front or RH side-mounted	– 10	GS1AN11
			External, LH side	– 10	GS1AN11G*
		2 N/C + 2 N/O Direct	External, front or RH side-mounted	– 10	GS1AN22
			External, LH side	– 10	GS1AN22G*

**Auxiliary O, I and Test position signalling contacts <sup>(3)</sup>**

Switch rating	Contact type	Type of operator	Rated operating current I <sub>e</sub> (A)		Reference
			< 24 V DC	< 240 V AC	
50...400	30...400	1 N/C + 1 N/O 2 N/C + 2 N/O	External, front side-mounted	– 10	GS1ANT11 GS1ANT22

**Auxiliary early break O and I position signalling contacts**

Switch rating	Contact type	Type of operator	Rated operating current I <sub>e</sub> (A)		Reference
			< 24 V DC	< 240 V AC	
A (CEI)					
32	1 C/O 2 C/O	–	12 12	4 4	GS1AM111* GS1AM211*
50...400	1 C/O 2 C/O	Direct, RH side Direct, RH side	12 12	4 4	GS1AM1* GS1AM2*

**Auxiliary "blown fuse" signalling contacts for use with NF C and DIN fuses <sup>(6)</sup>**

Contact type	Switch rating	Fuse size	Number of poles	Rated operating current I <sub>e</sub> (A)		Reference
				< 24 V DC	< 240 V AC	
1 <sup>st</sup> C/O	50	14 x 51	3 or 4	12	4	GS1AF1*
	100 and 125	22 x 58	3 4	12 12	4 4	GS1AF23* GS1AF24*
	160	Size 0	3 4	12 12	4 4	GS1AF33* GS1AF34*
	250 and 400	Size 1 and Size 2	3 4	12 12	4 4	GS1AF43* GS1AF44*
	630	Size 3	3 4	12 12	4 4	GS2AF63* GS2AF64*
	1250	Size 4	3 4	12 12	4 4	GS2AF73* GS2AF74*
2 <sup>nd</sup> C/O	50...1250	–	3 or 4	12	4	GS1AF*

(\* Not for UL switch-disconnector.

(1) For 32 A (CEI), 30 (UL) switch-disconnector-fuses, these auxiliary contacts allow:  
 - early break and O and I position signalling, - O and I position signalling,  
 - O, I and Test position signalling, - Test position signalling.

For 50 to 400 A (CEI), 30-400 A (UL) switch-disconnector-fuses, they allow:  
 - early break, - O and I position signalling,  
 - O, I and Test position signalling, - Test position signalling.

For 630 and 1250 A (CEI), 630 and 800 A (UL) switch-disconnector-fuses, they allow:  
 - early break and O and I position signalling.

(2) Maximum number of auxiliary contacts:

Switch rating	Standard	With additional bracket	Reference of additional bracket
A (CEI)	A (UL)		
32 <sup>(7)</sup>	30 Compact CC J	4 2	GS1AD10 GS1AD10
32 <sup>(8)</sup> ...160	30...100	4	GS2AD20
200...400	200 and 400	8	GS2AD20
630...1250	600 and 800	8	–

(3) The Test position allows testing of the control circuits off-load. Auxiliary contacts GS1AM110, GS1AM101 and GS1ANT●● only allow the test function with external handles GS2AHT●●●.

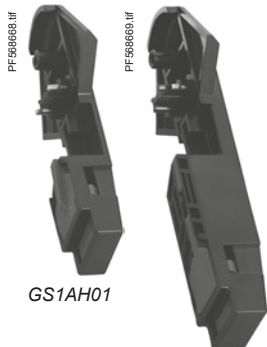
(4) These auxiliary contacts can also be used with 630, 800 and 1250 A switch-disconnector-fuses fitted with a direct front-mounted operator.

(5) Reversible add-on attachments for converting an N/C contact to an N/O contact and vice versa.

(6) For striker fuses (BS fuses are not available with striker).

(7) For GS1DDB3 fuse switch disconnector only.

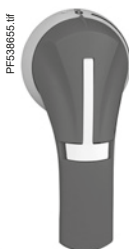
(8) For 32 A: for fuse switch disconnector GS2DB3 only.



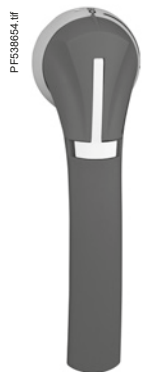
GS1AH02



GS2AH10  
GS2AH20



GS2AH30  
GS2AH40



GS2AH50  
GS2AH60



GS2AH70  
GS2AH80

## Handles for IEC and UL switch-disconnector-fuses

### Handles for direct operators

Switch rating	Type of operator	Handle colour	Reference
A (CEI)	A (UL)		

### Handles for direct operators, padlockable

-	30 Compact	Front-mounted	Black	GS2AH106
32	-	Front	Black	GS1AH103
50 and 63	-	RH side	Black	GS1AH01
100...400	-	RH side	Black	GS1AH02
-	600 and 800	Front-mounted	Black	GS2AH107
630 and 800	-	Front	Black	GS2AH104
1250	-	Front	Black	GS2AH105

### Handles for external operator

Switch rating	Handle colour	Degree of protection	Protection index Nema	Reference
A (CEI)	A (UL)			

### Handles for front-mounted external operators, padlockable and lockable in position O<sup>(1)</sup>

#### Door interlock in I position<sup>(2)</sup>

32...63	-	Black/Grey	IP 65	-	GS2AH510
			IP55	-	GS2AH515
100...400	-	Black/Grey	IP 65	-	GS2AH520
			IP55	-	GS2AH530
630 and 800	-	Black/Grey	IP 65	-	GS2AH535
			IP65	-	GS2AH540
1250	-	Black/Grey	IP65	-	GS2AH550
			IP65	-	GS2AH560
-	30 Compact	Black/Grey	IP65	-	GS2AH570
			IP65	-	GS2AH580
-	30 Compact	Black/Grey	-	1, 3R, 12	GS2AH110
			-	1, 3R, 12	GS2AH120
			-	1, 3R, 4, 4X, 12	GS2AH410
			-	1, 3R, 4, 4X, 12	GS2AH420
-	30...400	Black/Grey	-	1, 3R, 12	GS2AH130
			-	1, 3R, 12	GS2AH140
			-	1, 3R, 4, 4X, 12	GS2AH430
			-	1, 3R, 4, 4X, 12	GS2AH440
-	600 and 800	Black/Grey	-	1, 3R, 12	GS2AH150
			-	1, 3R, 12	GS2AH160

### Handles for front-mounted external operators with test facility<sup>(3)</sup>, padlockable and lockable in "O" position<sup>(1)</sup>. Door interlock in "I" position<sup>(2)</sup>

32...63	-	Black/Grey	IP 65	-	GS2AHT510
			IP65	-	GS2AHT520
100...400	-	Black/Grey	IP65	-	GS2AHT530
			IP65	-	GS2AHT540
-	30 Compact	Black/Grey	-	1, 3R, 12	GS2AHT110
			-	1, 3R, 12	GS2AHT120
			-	1, 3R, 4, 4X, 12	GS2AHT410
			-	1, 3R, 4, 4X, 12	GS2AHT420
-	30...400	Black/Grey	-	1, 3R, 12	GS2AHT130
			-	1, 3R, 12	GS2AHT140
			-	1, 3R, 4, 4X, 12	GS2AHT430
			-	1, 3R, 4, 4X, 12	GS2AHT440

### Handles for external right-hand side-mounted operators, padlockable and lockable in "O" position<sup>(1)</sup>

32...63	-	Black/Grey	IP 65	-	GS2AH210
			IP55	-	GS2AH215
100...400	-	Black/Grey	IP65	-	GS2AH220
			IP55	-	GS2AH230
630...1250	-	Black/Grey	IP65	-	GS2AH235
			IP65	-	GS2AH240
630...1250	-	Black/Grey	IP65	-	GS2AH250
			IP65	-	GS2AH260

### Handles for external left-hand side-mounted operators, padlockable and lockable in "O" position<sup>(1)</sup>

32...63	-	Black/Grey	IP 65	-	GS2AH310
			IP65	-	GS2AH320
100...400	-	Black/Grey	IP65	-	GS2AH330
			IP65	-	GS2AH340
630...1250	-	Black/Grey	IP65	-	GS2AH350
			IP65	-	GS2AH360

<sup>(1)</sup> Lockable with device GS2AX1, to be ordered separately.

<sup>(2)</sup> Door interlock override by means of a tool.

<sup>(3)</sup> The Test facility allows testing of the control circuits off-load, by using auxiliary contacts GS1AM110, GS1AM101 or GS1ANT00. In the "Test" position, the enclosure door can be opened.

PB121455.eps



GS2AE5

PB121456.eps



GS2AE2 - GS2AE21

PB121457.tif



GS2AE8 - GS2AE81

Switch-disconnector-fuses

### Accessories for IEC and UL switch-disconnector fuses

#### Shafts for external operators

Switch rating A (CEI)	A (UL)	Shaft length mm	Shaft cross section mm	Reference
32	30 Compact	200	5 x 5	GS2AE82
		320	5 x 5	GS2AE8
		400	5 x 5	GS2AE81
50...400	30...400	200	10 x 10	GS2AE22
		320	10 x 10	GS2AE2
		400	10 x 10	GS2AE21
630...1250	600 and 800	200	12 x 12	GS2AE52
		320	12 x 12	GS2AE5
		400	12 x 12	GS2AE51

#### Terminal protection shrouds for upstream or downstream connector plates

Switch rating A (CEI)	A (UL)	Number of poles	Reference
50 and 63	30 Compact, 30...60 (3P)	3 or 4	(1)
100...160	100	3	GS1AP33
		4	GS1AP34
200...400	200	3	GS1AP43
		4	GS1AP44
-	400	3	GS1APU53
		4	GS1APU54
630...800	600 and 800	3	GS2AP73
		4	GS2AP74
1250	-	3	GS2AP83
		4	GS2AP84

#### Devices for locking fuse covers in "I" position (2)

Switch rating A	Fuse size	Number of poles	Reference
50	14 x 51	3 or 4	(3)
63	Size 00C	3 or 4	GS1AV1
100...160	22 x 58, Size 00	3 or 4	GS1AV2
		3	GS1AV3
160	Size 0	3	GS1AV33
		4	GS1AV34
250	Size 1	3	GS1AV53
		4	GS1AV54
400	Size 2	3	GS1AV73
		4	GS1AV74

#### Cage terminals for connection of bare cables (without lug)

Switch rating A	Number of poles	Reference
50 and 63	3 or 4	(4)
100...160	3	GS1AW33
	4	GS1AW34
200...250	3	GS1AW43
	4	GS1AW44

#### External handle locking device

Switch rating A	Description	Reference
32...1250	Device for RONIS EL11AP keylock (lock to be ordered separately).	GS2AX1

#### Height compensation plate for external handles

Switch rating A (CEI)	A (UL)	Description	Degree of protection	Reference
32...1250	30 Compact, 30...400	Allows a new GS2●● handle to be fitted on existing cut-outs	IP 65	GS2AH001

#### Flat mounting kit

Switch rating A	Description	Reference
50...400	The kit, for use with a front-mounted external handle, includes: ■ a 200 mm shaft, cross section 10 x 10 mm, ■ an adapter plate	GS2ADL2

(1) For these ratings, the switch-disconnector-fuses are fitted with terminal covers as standard.

(2) For NF C and DIN switch-disconnector-fuses fitted with right-hand mounted direct operator.

(3) For this rating, switch-disconnector-fuses are fitted with a cover locking device as standard.

(4) For these ratings, switch-disconnector-fuses are fitted with cage terminals as standard.

## Technical Data for Designers

### Contents

#### Characteristics:

- > switch-disconnector fuses.... B5/16 to B5/21
- > auxiliary contacts .....B5/22

Dimensions ..... B5/23 to B5/31

Schemes .....B5/31

#### IEC - For NFC / DIN fuses - From 32 to 1250 A

Switch-disconnector-fuse characteristics			GS1DD	GS•F	GS•G	GS•J
<b>Environment</b>						
Conforming to standards	Switch-disconnector-fuses		IEC 60947-3			
	Fuses		IEC 60269-1 and 2			
Product certifications			ASEFA/LOVAG, LROS (pending)			
Degree of protection conforming to IEC 60529	On front panel with terminal covers		IP 20			
Ambient air temperature around the device	Storage	°C	-40...+80			
	Operation	°C	-20...+70			
Flame resistance conforming to IEC 60695-2-1	Body	°C	960	960		
	Fuse cover	°C	–		850	
<b>Pole characteristics</b>						
Conventional thermal current (I <sub>th</sub> ) for ambient temperature ≤ 40 °C		A	32	50	63	100
Fuse size			10 x 38	14 x 51	T00C	22 x 58
Rated insulation voltage (U <sub>i</sub> )		V	800	750	750	750
Rated impulse withstand voltage (U <sub>imp</sub> )		kV	8	8	8	8
Rated operational current (I <sub>e</sub> )	Cat. AC-23A/B <sup>(1)</sup> ~ 400 V	A	32	50	63	100
	~ 500 V	A	32	50	63	100
	~ 690 V	A	32	50	63	100 <sup>(3)</sup>
	Cat. DC-23A/B <sup>(1)</sup> ∴ 440 V <sup>(2)</sup>	A	20	40	40	100
Rated operational power	Cat. AC-23A/B <sup>(1)</sup> ~ 400 V	kW	15	25	30	51
	~ 500 V	kW	18.5	33	40	63
	~ 690 V	kW	25	45	55	90
Rated conditional short-circuit current	I <sub>rms</sub> at ~ 400 V with protection by gG (gl) fuses	kA	100	100	100	100
	Rating of associated fuses	A	32	50	63	100
Peak value of permissible current (dynamic short-circuit withstand)	Conforming to IEC 60269-1 ~ 400 V	kA	5.5	7.6	10.6	20
Rated making capacity	I <sub>rms</sub> at 400 V Cat. AC-23B	A	320	500	630	1000
Rated breaking capacity	I <sub>rms</sub> at 400 V Cat. AC-23B	A	256	400	500	800
Mechanical durability	Number of operating cycles		20000	10000	10000	10000
Electrical durability	Number of operating cycles cat. AC/DC-23A/B <sup>(1)</sup>		1500/300	1500/300	1500/300	1500/300
Cabling	Cable (c.s.a. min/max)	mm <sup>2</sup>	2.5/16	6/25	10/25	25/95
	Bars (max width)	mm	–	–	–	20
Tightening torque		N.m	3	3.2	3.2	12

<sup>(1)</sup> Category "A": frequent operating cycles, category "B": infrequent operating cycles.

<sup>(2)</sup> 2 poles in series per phase.

<sup>(3)</sup> With terminal covers.

<sup>(4)</sup> Poles not juxtaposed.



	GS●K	GS●KK	GS●LL	GS●L	GS●N	GS●QQ	GS2S	GS2V
	IEC 60947-3							
	IEC 60269-1 and 2							
	ASEFA/LOVAG, LROS (pending)							
	IP 20							
	-40...+80							
	-20...+70							
	960							
	850							
	125	125	160	160	250	400	630	1250
	22 x 58	T00	T00	T0	T1	T2	T3	T4
	750	750	750	750	750	800	1000	1000
	8	8	8	8	8	8	12	12
	125	125	160	160	250	400	630	1000
	125	125	160	160	250	315	500	800
	100 <sup>(3)</sup>	100 <sup>(3)</sup>	125 <sup>(3)</sup>	125 <sup>(3)</sup>	250 <sup>(3)</sup>	250/315	315/400	630
	100	100	125	125	200	200/315 <sup>(4)</sup>	400/630 <sup>(4)</sup>	1000
	63	63	80	80	132	220	355	560
	90	90	110	110	160	220	355	560
	80	80	110	110	220	220/295	295/400	400/475
	100	100	100 (50)	100	100	50	100	100
	125	125	125 (160)	160	250	400	630	1250
	20	20	22.7	20	32.5	40	70	90
	1250	1250	1600	1600	2500	4000	6300	10 000
	1000	1000	1280	1280	2000	3200	5040	8000
	10000	10000	10000	10000	10000	10000	8000	5000
	1000/200	1000/200	1000/200	1000/200	1000/200	1000/200	1000/200	500/100
	35/95	35/95	50/95	50/95	95/240	185/240	2 x 150 / 2 x 300	- / 4 x 185
	20	20	20	20	32	45	63	80
	12	12	12	12	25	25	44	44

Ref.

Switch-disconnectors  
fuses

#### IEC - For BS fuses - From 32 to 1250 A

Switch-disconnector-fuse characteristics		GS1DDB	GS2DB	GS2GB	GS2JB	
<b>Environment</b>						
Conforming to standards	Switch-disconnector-fuses		IEC 60947-3			
	Fuses		IEC 60269-1 and 2			
Product certifications			ASEFA/LOVAG, LROS (pending)			
Degree of protection conforming to IEC 60529	On Front panel, with terminal covers		IP 20			
Ambient air temperature around the device	Storage	°C	-40...+80			
	Operation	°C	-20...+70			
Flame resistance conforming to IEC 60695-2-1	Body	°C	960			
	Fuse cover	°C	-		850	
<b>Pole characteristics</b>						
Conventional thermal current (I <sub>th</sub> ) for ambient temperature ≤ 40 °C		<b>A</b>	32	32	63	100
Fuse size			A1	A1	A2-A3	A4 Ø ≤ 31 mm
Rated insulation voltage (U <sub>i</sub> )		<b>V</b>	800	750	750	750
Rated impulse withstand voltage (U <sub>imp</sub> )		<b>kV</b>	8	8	8	8
Rated operational current (I <sub>e</sub> )	Cat. AC-23A/B <sup>(1)</sup> ~ 400 V	<b>A</b>	32	32	63	100
	~ 500 V	<b>A</b>	32	32	63	100
	~ 690 V	<b>A</b>	32	32	63	100 <sup>(4)</sup>
	Cat. DC-23A/B <sup>(1)</sup> ~ 440 V <sup>(2)</sup>	<b>A</b>	20	20	40	100
Rated operational power	Cat. AC-23A/B <sup>(1)</sup> ~ 400 V	<b>kW</b>	15	15	30	51
	~ 500 V	<b>kW</b>	18.5	18.5	40	63
	~ 690 V	<b>kW</b>	25	25	55	90
Rated conditional short-circuit current	I <sub>rms</sub> at ~ 400 V with protection by gG (gl) fuses	<b>kA</b>	80	80	80	80
	Rating of associated fuses	<b>A</b>	32	32	63	100
Peak value of permissible current (dynamic short-circuit withstand)	Conforming to ~ 400 V IEC 60269-1	<b>kA</b>	5.5	9	10.6	20
Rated making capacity	I <sub>rms</sub> at 400 V Cat. AC-23B	<b>A</b>	320	320	630	1000
Rated breaking capacity	I <sub>rms</sub> at 400 V Cat. AC-23B	<b>A</b>	256	256	500	800
Mechanical durability	Number of operating cycles		20000	10000	10000	10000
Electrical durability	Number of operating cycles cat. AC/DC-23A/B <sup>(1)</sup>		1500/300	1500/300	1500/300	1500/300
Cabling	Cable (c.s.a. min/max)	<b>mm<sup>2</sup></b>	2.5/16	6/25	10/25	25/95
	Bars (max width)	<b>mm</b>	-	-	-	20
Tightening torque		<b>N.m</b>	3	3.2	3.2	12

(1) Category "A": frequent operating cycles, category "B": infrequent operating cycles.

(2) 2 poles in series per phase.

(3) Fit switch-disconnector-fuses **GS2LB** with B1 or B2 fuses and **GS2LLB** with A4 fuses.

(4) With terminal covers.

(5) Poles not juxtaposed.



Switch-disconnector-fuses

	GS2LB or LLB <sup>(3)</sup>	GS2MMB	GS2NB	GS2PPB	GS2QQB	GS2SB	GS2TB	GS2VB
	IEC 60947-3							
	IEC 60269-1 and 2							
	ASEFA/LOVAG, LROS (pending)							
	IP 20							
	-40...+80							
	-20...+70							
	960							
	850							
	160	200	250	315	400	630	800	1250
	A4, B1-B2 <sup>(3)</sup>	B1-B2	B1...B3	B1...B3	B1...B4	C1-C2	C1...C3	D1
	750	750	750	800	800	1000	1000	1000
	8	8	8	8	8	12	12	12
	160	200	250	315	400	630	800	1000
	160	200	250	315	315	500	630	800
	125 <sup>(4)</sup>	200/160 <sup>(4)</sup>	250 <sup>(4)</sup>	250/315 <sup>(4)</sup>	250/315	315/400	630	630
	125	200	200	200	200/315 <sup>(5)</sup>	400/630 <sup>(5)</sup>	800	1000
	80	100	132	150	220	355	450	560
	110	140	160	220	220	355	450	560
	110	150/185	220	220/295	220/295	295/400	400	400/475
	80	80	80	80	80	80	80	80
	160	200	250	315	400	630	800	1250
	22.7	32.5	32.5	40	40	70	80	90
	1600	2000	2500	3150	4000	6300	8000	10 000
	1280	1600	2000	2520	3200	5040	6400	8000
	10000	10000	10000	10000	10000	8000	8000	5000
	1000/200	1000/200	1000/200	1000/200	1000/200	1000/200	500/100	500/100
	50/95	95/240	95/240	185/240	185/240	2 x 150 / 2 x 300	2 x 185 / 2 x 300	- / 4 x 185
	20	32	32	45	45	63	63	80
	12	25	25	25	25	44	44	44

Ref.

Switch-disconnectors  
fuses

#### UL, CSA, IEC - For CC and J fuses - From 32 to 800 A

Switch-disconnector-fuse characteristics			GS1DDU3	GS1DU3	GS2EEU3	GS2EU3N	
<b>Environment</b>							
Conforming to standards	Switch-disconnector-fuses		UL 489, CSA 22.2 n°5, IEC 60947-3		UL 98, UL 248, CSA 22.2 n°4, IEC 60947-3		
	Fuses		UL 248				
Degree of protection conforming to IEC 60529	With terminal covers		IP 20				
Ambient air temperature around the device	Storage	°C	-40...+80				
	Operation	°C	-20...+70				
Flame resistance conforming to IEC 60695-2-1	Body	°C	960	960	960		
	Fuse cover	°C	-	-	850		
<b>Pole characteristics</b>							
Conventional thermal current (I <sub>th</sub> ) for ambient temperature ≤ 40 °C		<b>A</b>	30	30	30	30	
Fuse size			CC	J	CC	J	
Rated insulation voltage (U <sub>i</sub> )		<b>V</b>	800	800	750	750	
Rated impulse withstand voltage (U <sub>imp</sub> )		<b>kV</b>	8	8	8	8	
Rated operational current (I <sub>e</sub> )	Cat. AC-23A/B <sup>(1)</sup> ~ 400 V	<b>A</b>	32	32	32	32	
	~ 500 V	<b>A</b>	32	32	32	32	
	~ 690 V	<b>A</b>	32	32	32	32	
Rated operational power	Cat. AC-23A/B <sup>(1)</sup> ~ 400 V	<b>kW</b>	15	15	15	15	
	~ 500 V	<b>kW</b>	18.5	18.5	18.5	18.5	
	~ 690 V	<b>kW</b>	25	25	25	25	
Prospective short-circuit current withstand	Conforming to UL 98 / UL 489	~ 600 V	<b>kA</b>	100	100	200	200
Peak value of permissible current (dynamic short-circuit withstand)	Conforming to IEC 60269-1	~ 400 V	<b>kA</b>	5.5	5.5	7.6	17.6
Rated making capacity	I <sub>rms</sub> at 400 V Cat. AC-23B		<b>A</b>	300	300	300	300
Rated breaking capacity	I <sub>rms</sub> at 400 V Cat. AC-23B		<b>A</b>	240	240	240	240
Mechanical durability	Number of operating cycles			10000	10000	10000	10000
Electrical durability	Number of operating cycles Cat. AC/DC-23A/B <sup>(1)</sup>			1500/300	1500/300	1500/300	1500/300
Cabling	Cable (c.s.a. min/max)	<b>mm<sup>2</sup></b>	2.5/6	2.5/6	2.5/6	2.5/16	
		<b>AWG</b>	#14/#10	#14/#10	#14/#10	#14/#6	
	Bars (max width)	<b>mm</b>	-	-	-	-	
Tightening torque		<b>N.m</b>	3 (for wire)	4 (for wire)	5.5 (for wire)	3.5 (for wire)	
		<b>lb-in</b>	27	27	48	31	

(1) Category "A": frequent operating cycles, category "B": infrequent operating cycles.

	GS2GU3N	GS2JU3N	GS2MU3N	GS2QU3N	GS2SU3	GS2TU3
	UL 98, CSA 22.2 n°4, IEC 60947-3					
	UL 248					
	IP 20					
	-40...+80					
	-20...+70					
	960					
	850					
	60	100	200	400	600	800
	J	J	J	J	J	L
	750	750	750	800	1000	1000
	8	8	8	8	12	12
	63	100	200	400	630	800
	63	100	200	315	630	630
	63	100	200	250	630	630
	30	51	100	220	355	450
	40	63	140	220	450	560
	55	90	185	220	600	600
	100	200	200	200	200	200
	17.6	22	32	36	80	80
	600	1000	2000	4000	6000	8000
	480	800	1600	3200	4800	6400
	10000	10000	8000	6000	5000	5000
	1500/300	1500/300	1000/200	1000/200	1000/200	500/100
	2.5/16	4/50	16/150	25/300	2 x 150	-
	#14/#6	#12/#1	#6/300 Kcmil	#4/600 Kcmil	#2/600 Kcmil	-
	-	20	32	45	100	100
	3.5 (for wire)	4 (for wire)	18 (for lug)	35 (for lug)	35 (for lug)	35 (for lug)
	31	35.4	160	310	310	310

Ref.

Switch-  
disconnectors  
fuses

## Auxiliary contacts

### GS1AM11, GS1AM1 and GS1AM2 early break and signalling contact characteristics

Conventional thermal current (I <sub>th</sub> ) for ambient temperature ≤ 40 °C		<b>A</b>	16
Rated operational current (I <sub>e</sub> )	Cat. AC-15	<b>A</b>	127 V: 5 - 230 V: 4 - 400 /415 V: 3 - 440 V: 2
	Cat. DC-13	<b>A</b>	24 V: 12 - 48 V: 2 - 110 V: 0.6 - 220 V: 0.4
Durability	Number of operating cycles		Mechanical: 1000000 Electrical: cat. AC-15: 30000
Fuse protection	gG	<b>A</b>	6 max
Cabling		<b>mm</b>	Faston connectors: 1 x 6.35 or 2 x 2.8

### GS1AN and GS1ANT signalling contact characteristics

Conventional thermal current (I <sub>th</sub> ) for ambient temperature ≤ 40 °C		<b>A</b>	20
Rated operational current (I <sub>e</sub> )	Cat. AC-15	<b>A</b>	127 V: 12 - 230 V: 10 - 400/415 V: 8 - 440 V: 6
	Cat. DC-13	<b>A</b>	48 V: 4 - 110 V: 1.2 - 220 V: 1
Durability	Number of operating cycles		Mechanical: 30000 Electrical: cat. AC-15: 30000
Fuse protection	gG	<b>A</b>	16 max
Cabling	Cable (c.s.a. min/max)	<b>mm<sup>2</sup></b>	Min: 1.5 - max: 10

### GS1AM110 and GS1AM101 early break and signalling contact characteristics

Conventional thermal current (I <sub>th</sub> ) for ambient temperature ≤ 40 °C		<b>A</b>	10
Rated operational current (I <sub>e</sub> )	Cat. AC-15	<b>A</b>	120 V: 6 - 240 V: 3 - 400 V: 1.8 - 480 V: 1.5
	Cat. DC-13	<b>A</b>	24 V: 2.8 - 48 V: 1.4 - 125 V: 0.55 - 250 V: 0.27 - 400 V: 0.15
Durability	Number of operating cycles		Mechanical: 5000000 Electrical: cat. AC-15: 1000000
Cabling	Cable (c.s.a. min/max)	<b>mm<sup>2</sup></b>	Min: 1 x 0.22 - max: 2 x 2.5

### GS1AF "blown fuse" signalling contact characteristics

Conventional thermal current (I <sub>th</sub> ) for ambient temperature ≤ 40 °C		<b>A</b>	16
Rated operational current (I <sub>e</sub> )	Cat. AC-15	<b>A</b>	230 V: 4 - 400 V: 3
	Cat. DC-13	<b>A</b>	24 V: 12 - 48 V: 2 - 110 V: 0.6 - 220 V: 0.4
Durability	Number of operating cycles		Mechanical: 30000 Electrical: cat. AC-15: 30000
Cabling		<b>mm</b>	Faston connectors: 1 x 6.35

Ref.



Switch-disconnectors fuses

# TeSys

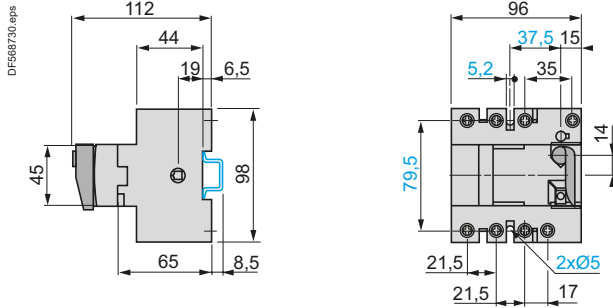
## TeSys GS Switch-disconnector-fuses

### Dimensions

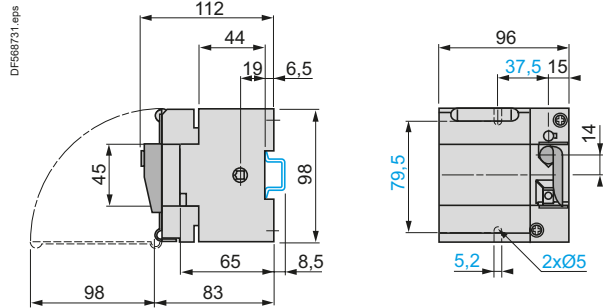
#### IEC - GS1●● (32 A) Switch-disconnector-fuse

##### Direct front-mounted operator

###### GS1DD

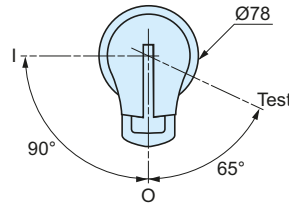
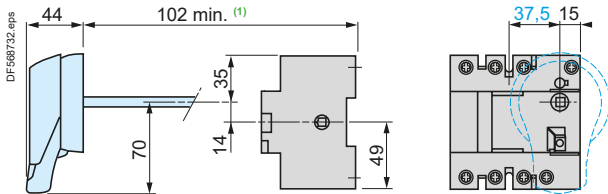


###### GS1DDB

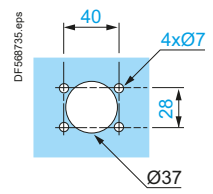


##### External front-mounted operator

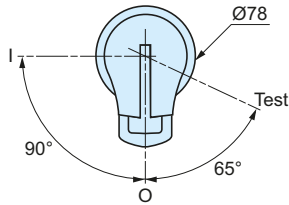
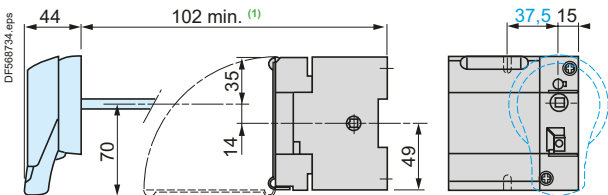
###### GS1DD



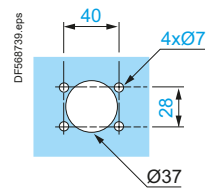
###### Door cut-out



###### GS1DDB



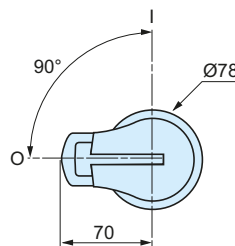
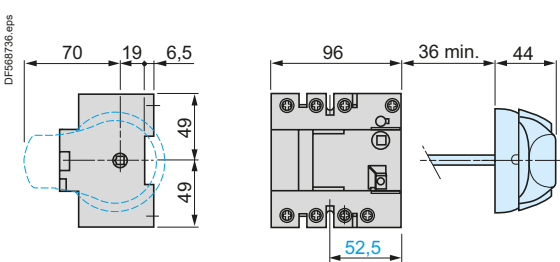
###### Door cut-out



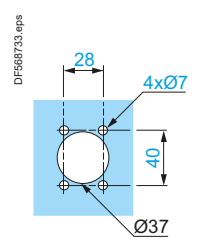
- (1) With 1 or 2 auxiliary contacts GS1AM1●●: 130 mm.
- (2) With 3 or 4 auxiliary contacts GS1AM1●●: 155 mm.

##### External right-hand side-mounted operator

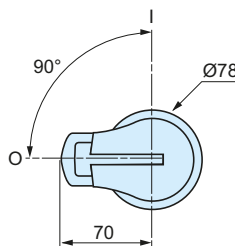
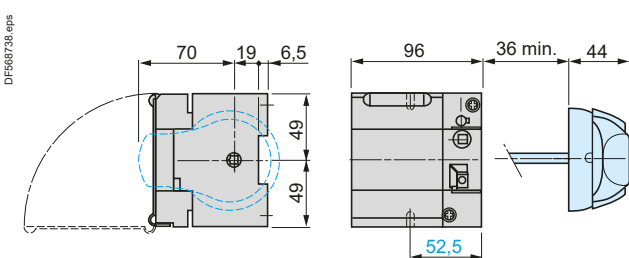
###### GS1DD



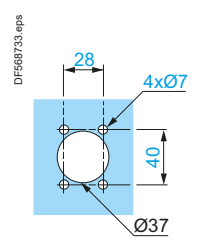
###### Door cut-out



###### GS1DDB



###### Door cut-out



# TeSys

## TeSys GS Switch-disconnector-fuses

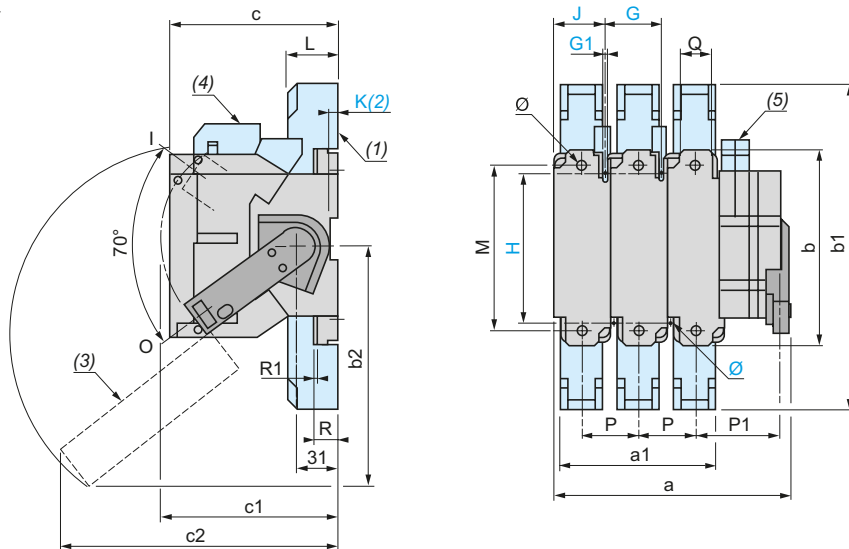
### Dimensions

#### IEC - GS1●● (50...400 A) Switch-disconnector-fuse

Direct right-hand side-mounted operator

GS1FD (50 A), GD (63 A), JD (100 A), KD, KKD (125 A), LD, LLD (160 A), ND (250 A) and QQD (400 A)

DF538732.eps



Ref.



Switch-disconnectors fuses

GS1	a	a1	b	b1	b2	c	c1	c2	G	G1	H	J	K	Ø	L	M	P	P1	Q	R	R1	Ø	
FD	3P	118	-	118	-	87	134	-	27	5.4	106	31	6.5	5	-	-	27	33.5	-	-	-	-	
	4P	145	-	118	-	87	134	-	27	5.4	106	31	6.5	5	-	-	27	33.5	-	-	-	-	
GD	3P	133	-	118	-	159	116.5	134	32	5.4	106	36	6.5	5	-	-	32	36	-	-	-	-	
	4P	165	-	118	-	159	116.5	134	32	5.4	106	36	6.5	5	-	-	32	36	-	-	-	-	
JD, KD	3P	150	108	162	268	-	116	173	-	36	5.4	127	40	-	5	44	141	36	38	20	19.5	2.5	8.5
	4P	186	144	162	268	-	116	173	-	36	5.4	127	40	-	5	44	141	36	38	20	19.5	2.5	8.5
KKD, LLD	3P	150	108	162	268	141	126.5	173	193	36	5.4	127	40	-	5	44	141	36	38	20	19.5	2.5	8.5
	4P	186	144	162	268	141	126.5	173	193	36	5.4	127	40	-	5	44	141	36	38	20	19.5	2.5	8.5
LD	3P	192	136	162	268	174	136.5	173	229	50	5.4	140	54	-	5	44	141	50	45	20	19.5	2.5	8.5
	4P	242	172	162	268	174	136.5	173	229	50	5.4	140	54	-	5	44	141	50	45	20	19.5	2.5	8.5
ND	3P	253	180	195	345	185	146	173	251	60	6.4	162	64	-	6	65	166	60	81	32	19.5	2.5	11
	4P	313	240	195	345	185	146	173	251	60	6.4	162	64	-	6	65	166	60	81	32	19.5	2.5	11
QQD	3P	271	192	205	355	200	149	173	260	66	6.4	172	70	-	6	65	175	66	86	50	20	3	11
	4P	337	258	205	355	200	149	173	260	66	6.4	172	70	-	6	65	175	66	86	50	20	3	11

- (1) Terminal cover.
- (2) Mounting on rail only for GS1FD and GS1GD (50 and 63 A).
- (3) Protective screen, lockable in I position.
- (4) 1 or 2 auxiliary contacts GS1AF●●.
- (5) 1 or 2 auxiliary contacts GS1AM●.



# TeSys

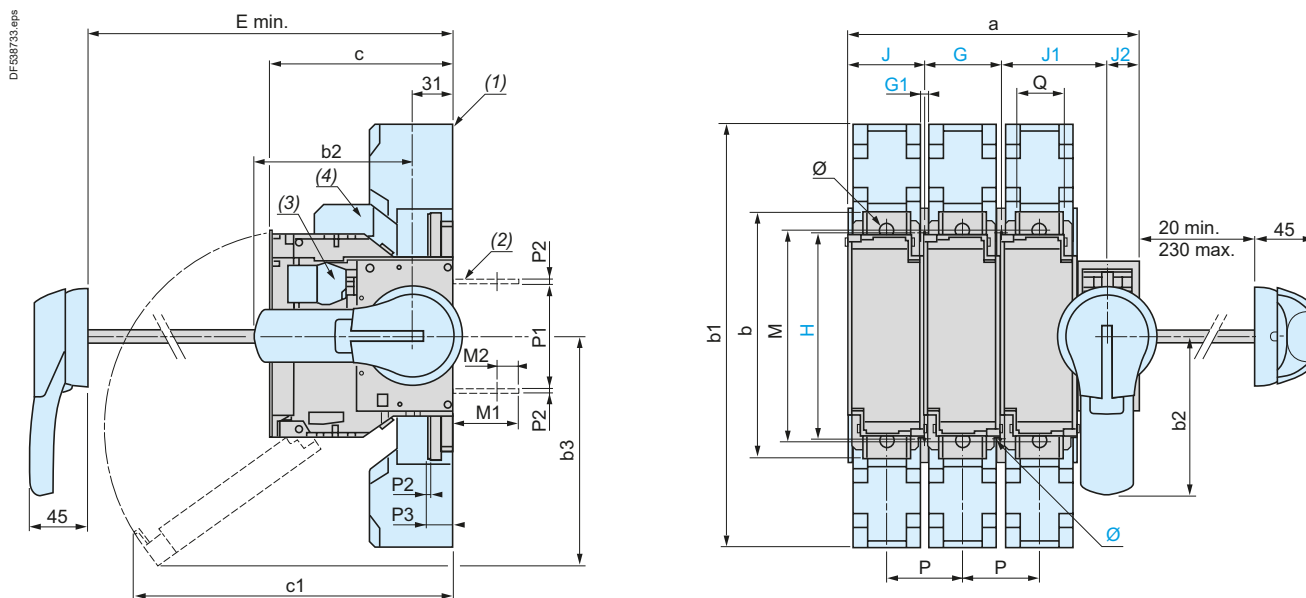
## TeSys GS Switch-disconnector-fuses

### Dimensions

#### IEC - GS2●● (32...400 A) Switch-disconnector-fuse

External front and right-hand side-mounted operator

GS2DB (32 A), F (50 A), G, GB, JB (63 A), J (100 A), K, KK (125 A), L, LL, LB, LLB (160 A), MMB (200 A), N, NB (250 A), PPB (315 A), QQ and QQB (400 A)

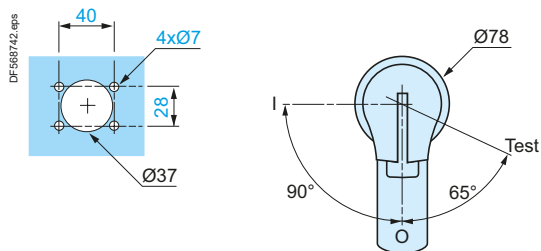


GS2	a	b	b1	b2	b3	c	c1	E min.	G	G1	H	J	J1	J2	Ø	M	M1	M2	P	P1	P2	P3	Q	Ø	
F, DB	3P	121	118	-	70	85	87 <sup>(5)</sup>	153	100 <sup>(5)</sup>	27	5.4	106	31	45	18	5	-	15	6	27	59	2	-	12	-
	4P	148	118	-	70	85	87 <sup>(5)</sup>	153	100 <sup>(5)</sup>	27	5.4	106	31	45	18	5	-	15	6	27	59	2	-	12	-
G, GB	3P	136	118	-	70	159	116.5 <sup>(6)</sup>	145	125	32	5.4	106	36	50	18	5	-	15	6	32	59	2	-	12	-
	4P	168	118	-	70	159	116.5 <sup>(6)</sup>	145	125	32	5.4	106	36	50	18	5	-	15	6	32	59	2	-	12	-
J, JB, K	3P	148	162	268	125	141	116 <sup>(6)</sup>	187	135	36	5.4	127	40	54	18	5	141	41	8	36	62	2.5	19.5	20	8.5
	4P	184	162	268	125	141	116 <sup>(6)</sup>	187	135	36	5.4	127	40	54	18	5	141	41	8	36	62	2.5	19.5	20	8.5
KK, LL	3P	148	162	268	125	141	126.5 <sup>(6)</sup>	193	135	36	5.4	127	40	54	18	5	141	41	8	36	62	2.5	19.5	20	8.5
	4P	184	162	268	125	141	126.5 <sup>(6)</sup>	193	135	36	5.4	127	40	54	18	5	141	41	8	36	62	2.5	19.5	20	8.5
L, LB, LLB	3P	190	162	268	125	174	136.5	229	145	50	5.4	140	54	64	18	5	141	41	8	50	62	2.5	19.5	20	8.5
	4P	240	162	268	125	174	136.5	229	145	50	5.4	140	54	64	18	5	141	41	8	50	62	2.5	19.5	20	8.5
MMB, NB, N	3P	234	195	345	125	185	146	251	154	60	6.4	162	64	86	25	6	166	52	17	60	84	2.5	19.5	32	11
	4P	294	195	345	125	185	146	251	154	60	6.4	162	64	86	25	6	166	52	17	60	84	2.5	19.5	32	11
PPB, QQB, QQ	3P	252	205	355	125	200	149	260	157	66	6.4	172	70	91	25	6	175	54	14.5	66	84	3	20	50	11
4P	318	205	355	125	200	149	260	157	66	6.4	172	70	91	25	6	175	54	14.5	66	84	3	20	50	11	

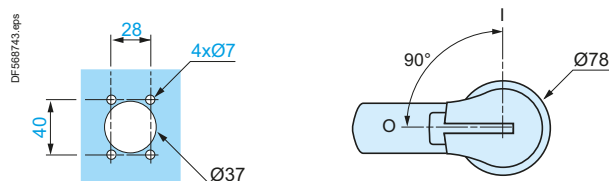
- (1) Terminal cover.
- (2) Rear access connector plates (option).
- (3) 1 to 8 auxiliary contacts GS1AM1●●.
- (4) 1 or 2 auxiliary contacts GS1AF●●.
- (5) 1 auxiliary contact GS1AM1●●: + 23.5 mm, 2 auxiliary contacts GS1AM1●●: + 47 mm.
- (6) 132 mm with 2 auxiliary contacts GS1AM1●●.

#### Door cut-out

##### For external front-mounted operator



##### For external right-hand side-mounted operator



# TeSys

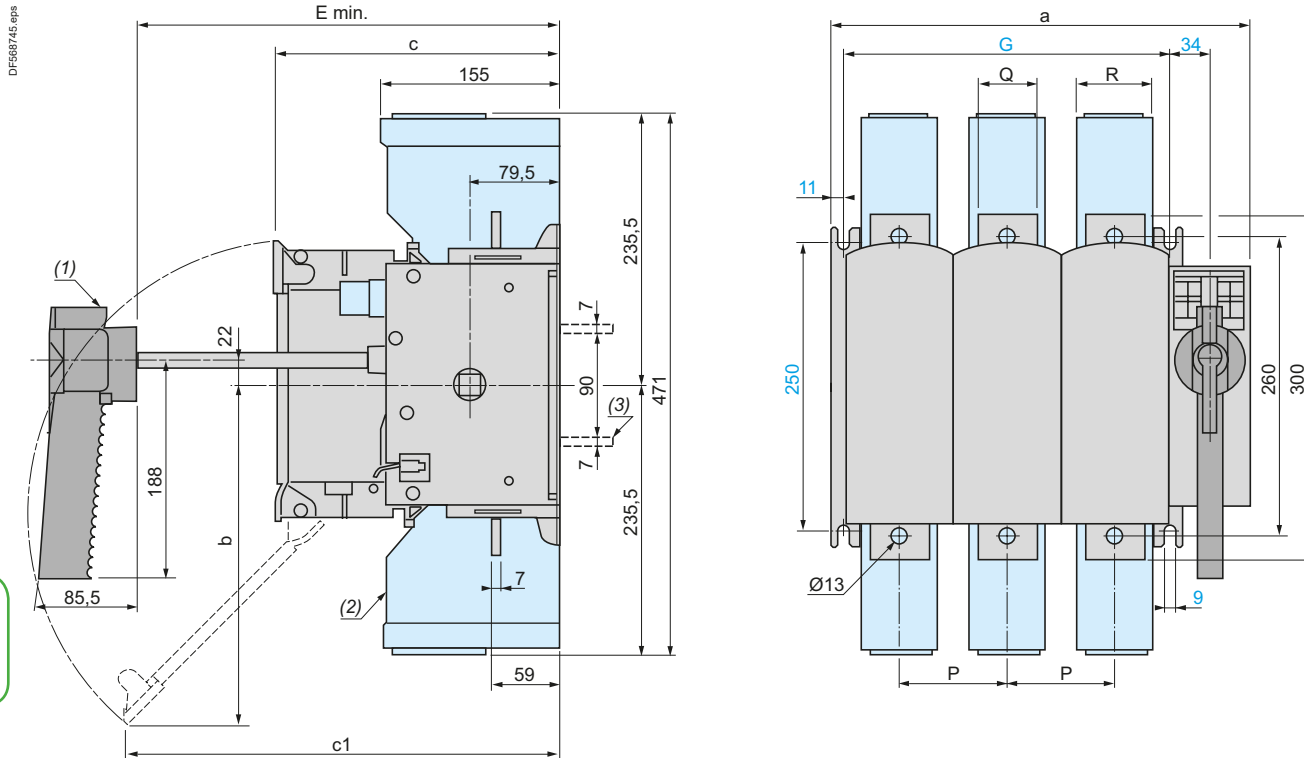
## TeSys GS Switch-disconnector-fuses

### Dimensions

#### IEC - GS2●● (630...1250 A) Switch-disconnector-fuse

Direct front-mounted operator

GS2S, SB (630 A), TB (800 A), V and VB (1250 A)

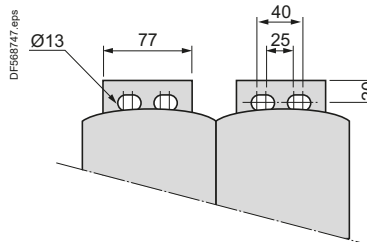
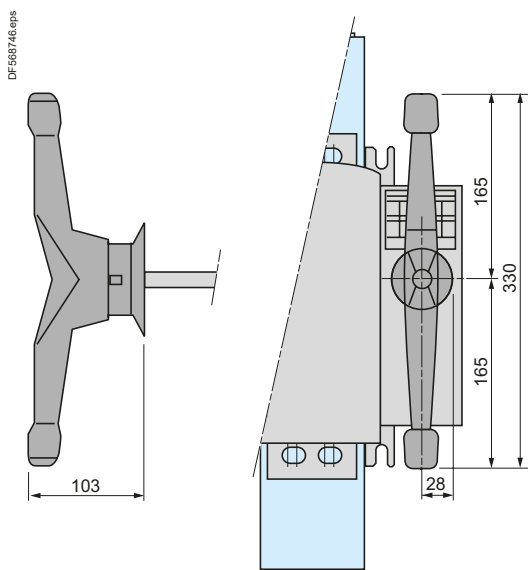


GS2		a	b	c	c1	E min.	G	P	Q	R
S, SB, TB	3P	364	300	250	380	265	284	94	51	65
	4P	458	300	250	380	265	378	94	51	65
V, VB	3P	442	355	289	295	304	362	120	77	88
	4P	562	355	289	295	304	482	120	77	88

- (1) Handle GS2AH104 for GS2S, GS2SB and GS2TB.
- (2) Terminal cover.
- (3) Rear access connector plates (GS2V and GS2VB).

Handle GS2AH105 for GS2V and GS2VB  
(direct front-mounted operator)

Connector plates for GS2V and GS2VB



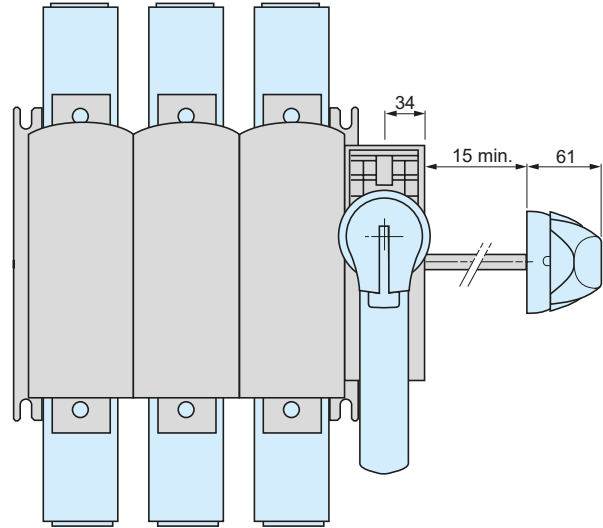
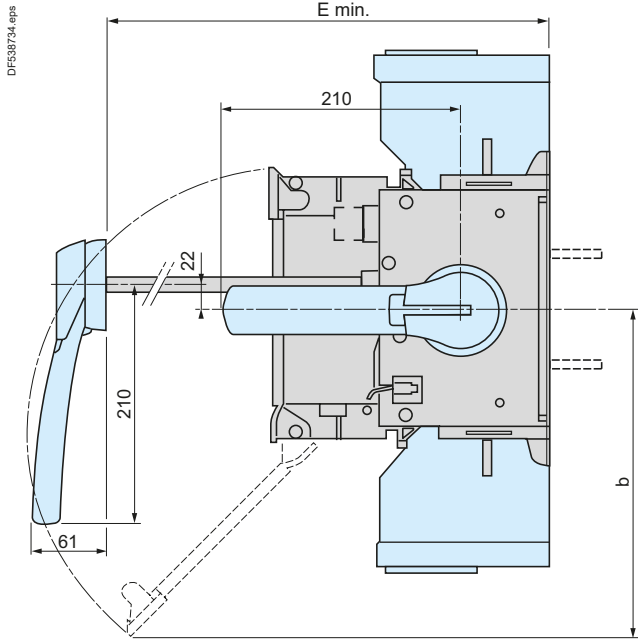
# TeSys

## TeSys GS Switch-disconnector-fuses

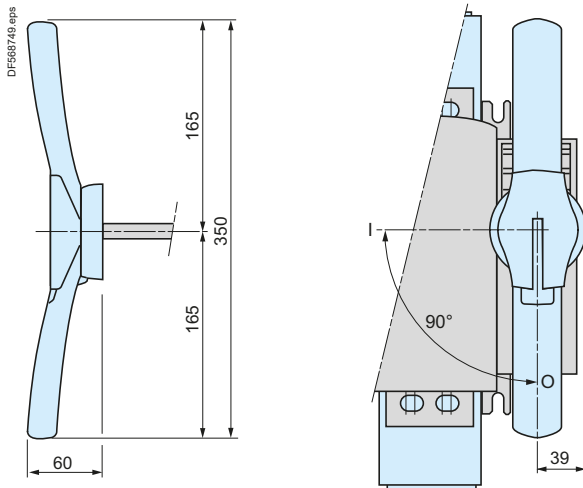
### Dimensions

#### IEC - GS2●● (630...1250 A) Switch-disconnector-fuse

External front and right-hand side-mounted operator  
**GS2S, SB (630 A), TB (800 A), V and VB (1250 A)**



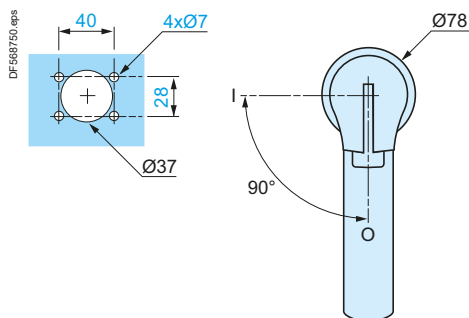
Handle GS2AH570 or GS2AH580 for GS2V and GS2VB (external front-mounted operator)



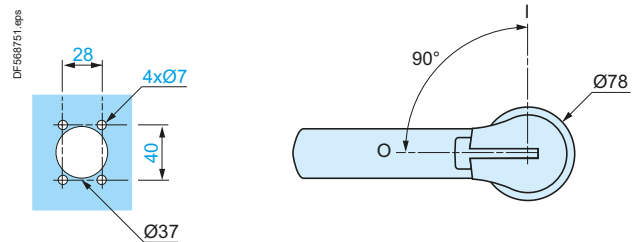
GS2		b	E min.
S, SB, TB	3P	297	265
	4P	297	265
V, VB	3P	350	304
	4P	350	304

#### Door cut-out

For external front-mounted operator



For external right-hand side-mounted operator



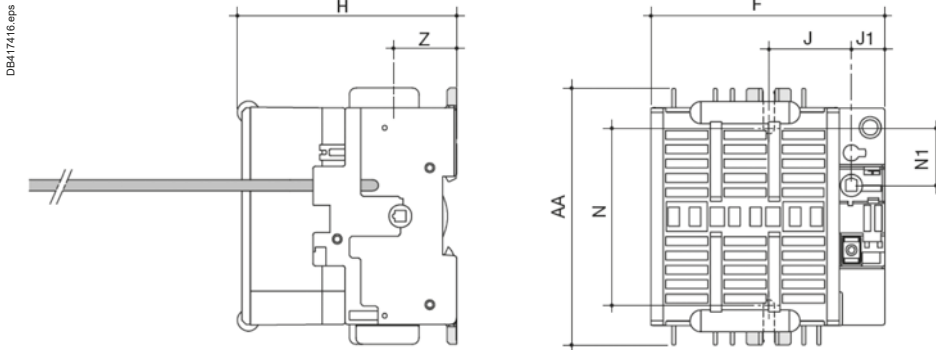
# TeSys

## TeSys GS Switch-disconnector-fuses

### Dimensions

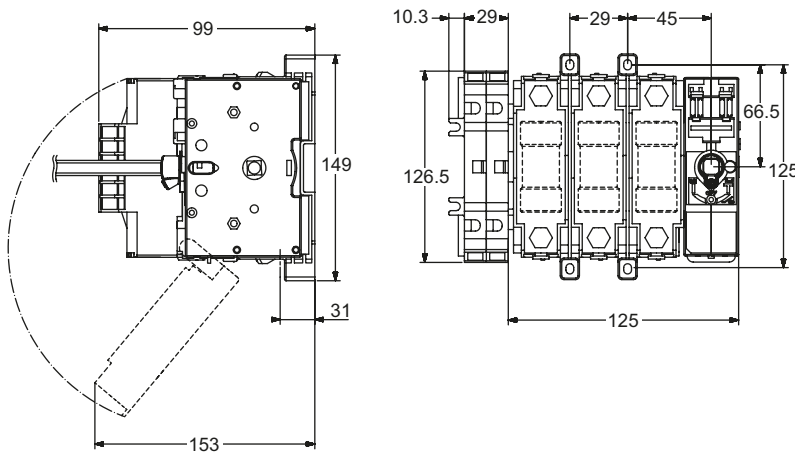
#### UL, CSA, IEC - GS1●● GS2●● Switch-disconnector-fuses (30 and 60 A)

GS1DU3 (30 A) class CC fuses, GS1DDU3 (30 A) class J fuses

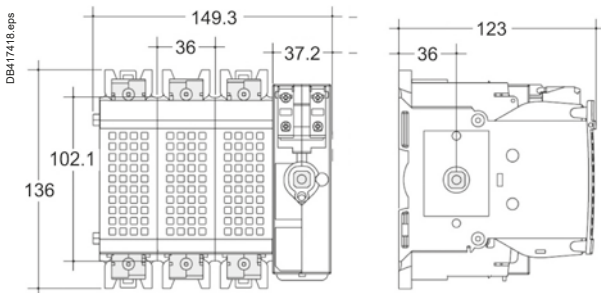


Rating	F	H	J	J1	N	N1	AA	Z
30 / CC	96	83.5	37.5	15	79.5	25.5	116	28.5
30 / J	105	99	37.5	15	79.5	25.5	116	28.5

#### GS2EU3 (30 A) class CC fuses



#### GS2EU3N, GS2GU3N (60 A) class J fuses



### Accessories

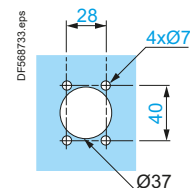
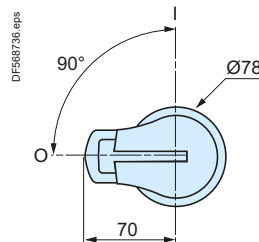
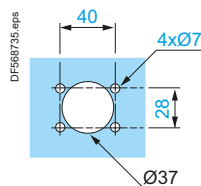
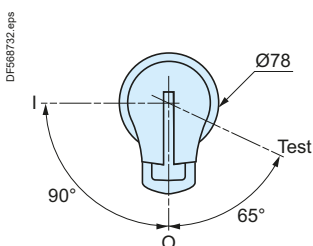
#### Handle for 30 and 60 A switch-disconnector-fuses

External front handle

Door cut-out

External side handle

Door cut-out



References:  
pages B5/8 and B5/9

Characteristics:  
pages B5/20 and B5/21

Schemes:  
page B5/31

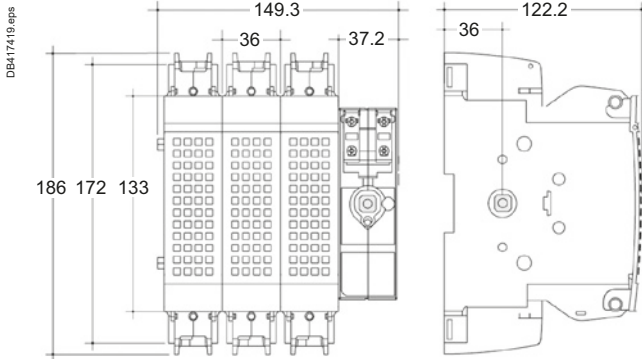
# TeSys

## TeSys GS Switch-disconnector-fuses

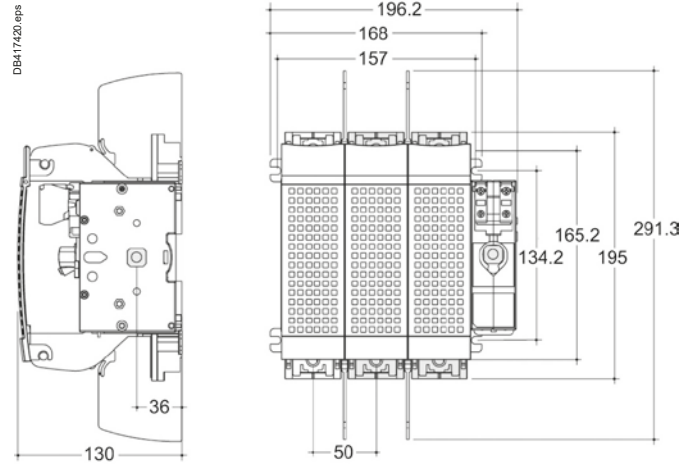
### Dimensions

#### UL, CSA, IEC - GS2●● Switch-disconnector-fuses (100 and 400 A)

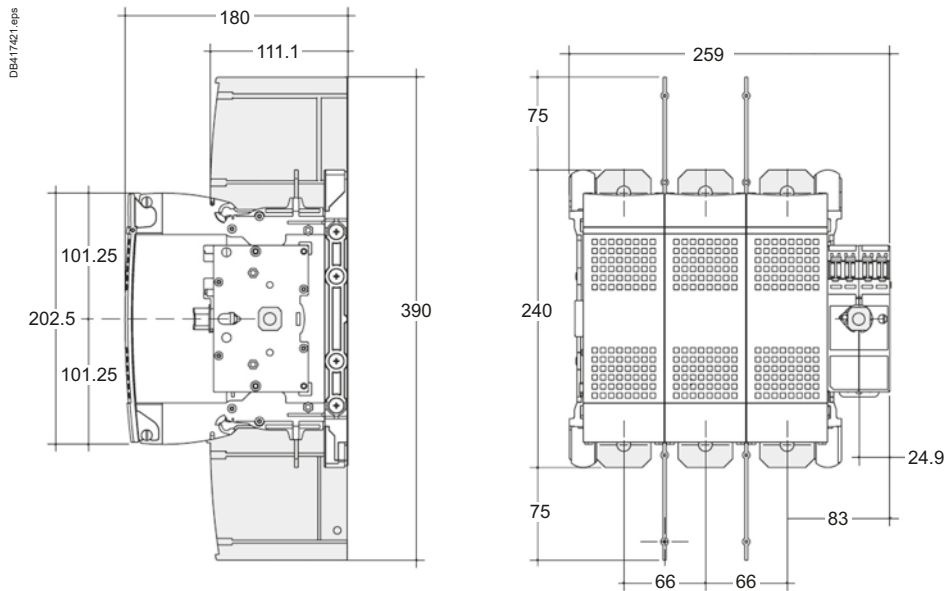
##### GS2JU3N (100 A) class J fuses



##### GS2MU3N (200 A) class J fuses

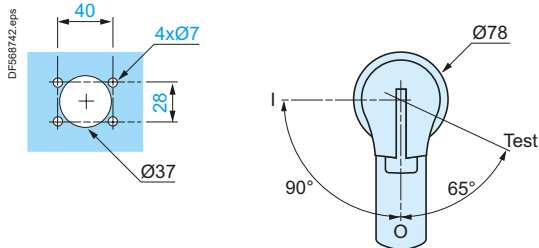


##### GS2QU3N (400 A) class CC fuses

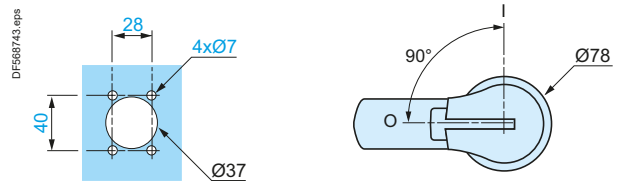


#### Accessories

##### Handle for 100, 200 and 400 A switch-disconnector-fuses For external front-mounted operator



##### For external right-hand side-mounted operator



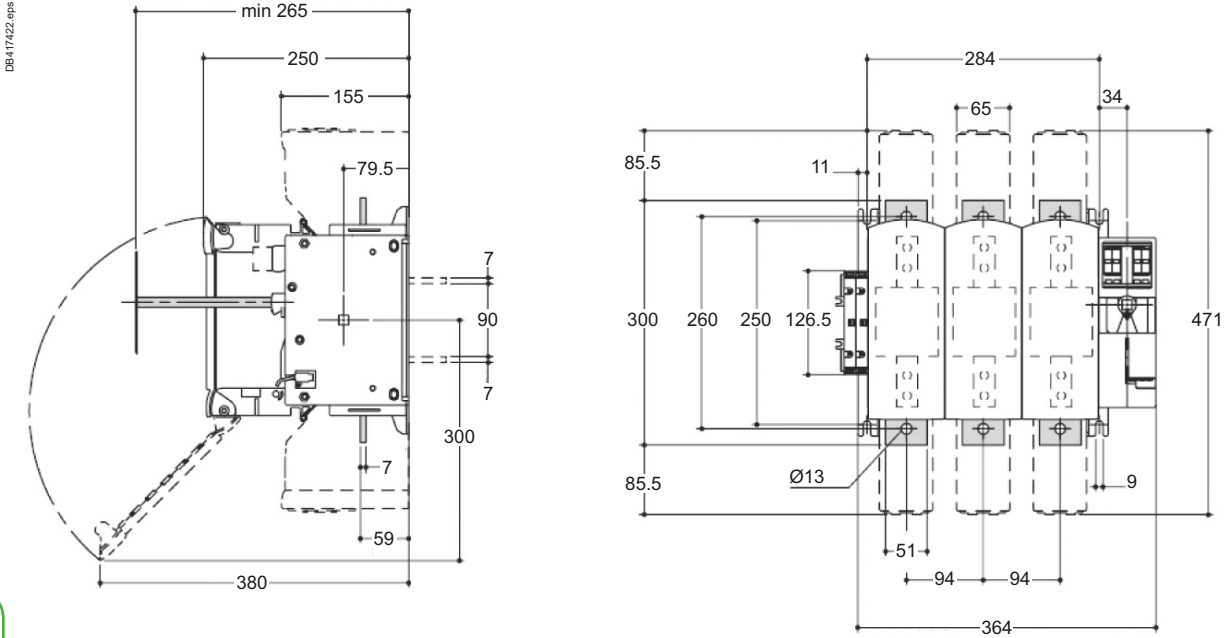
# TeSys

## TeSys GS Switch-disconnector-fuses

### Dimensions

#### UL, CSA, IEC - GS2●● Switch-disconnector-fuses (600 and 800 A)

#### GS2SU3 (600 A), GS2TU3 (800 A) class J fuses



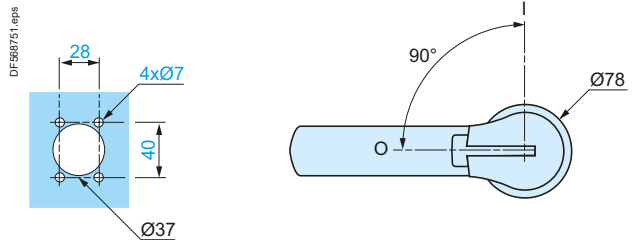
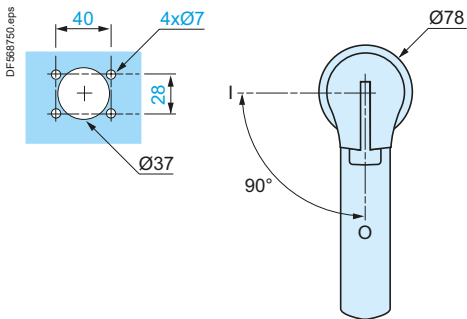
Ref.  
  
  
 Switch-disconnectors fuses

#### Accessories

#### Handle for 600 and 800 A switch-disconnector-fuses

#### For external front-mounted operator

#### For external right-hand side-mounted operator



# TeSys

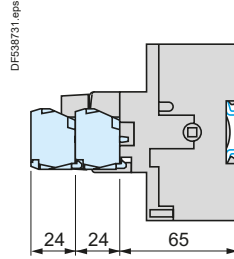
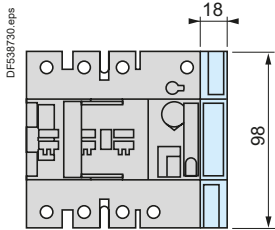
## TeSys GS Switch-disconnector-fuses

### Dimensions, schemes

#### Auxiliary contacts

GS1AM111, GS1AM211

GS1AM110, GS1AM101

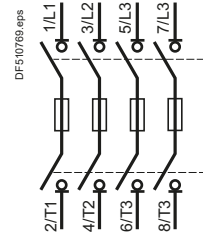
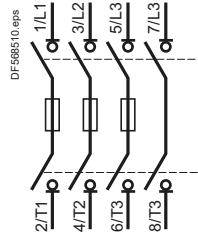
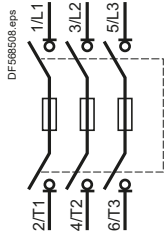


#### Schemes

3-pole GS  
32 to 1250 A

4-pole GS  
32 A

50 to 1250 A



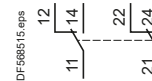
#### Auxiliary contacts

GS1AM110  
1 N/O

GS1AM101  
1 N/C

GS1AM111 and GS1AM1  
1 C/O

GS1AM211 and GS1AM2  
2 C/O

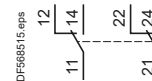
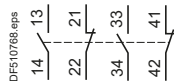


GS1AN●●  
1 N/C + 1 N/O

2 N/C + 2 N/O

GS1AF●  
1 C/O

2 C/O



Switch-  
disconnectors  
fuses